



**Universal hinges**  
***SALICE***



## Universal hinges



The Salice universal hinge has been developed to provide a solution to most applications in the field of furniture doors. The hinge can be used with a very wide range of door materials and thicknesses: in addition to the classic cup for wooden doors, there is a plate-fixed version that is bonded to glass doors or mirrors and a third version with a screw-fixed plate for doors made of the special and thinner materials that are becoming increasingly popular, such as metal, ceramics, cements, quartz composites, HPL, HDF and MDF. These plates are equipped with screws that have been developed specifically to obtain the highest holding strength in materials with a minimum thickness of 8 mm.

By simply changing the fixing position of the cup or the plate on the door, it is possible, with a single hinge and a single mounting plate, to provide a solution to a number of special applications and overlays, which include inset doors.

The seven pivot movement, a key technical feature of these hinges, also provides a solution to a number of special applications, which include half-inset doors and doors with moulded or mitred edges.

There are also different options for the ways to open and close the doors. In addition to the traditional sprung hinge, there is the soft closing version and the version with the Push selfopening system for handle-less doors.



Aesthetic considerations are not neglected – the hinges can be supplied in nickel-plated or titanium finish with a complete range of cover caps.

The universal hinge is compatible with all Salice mounting plates, is fully adjustable in three directions and guarantees the possibility of a precise, immediate and calibrated adjustment.



# Universal hinges for glass doors

## Technical features

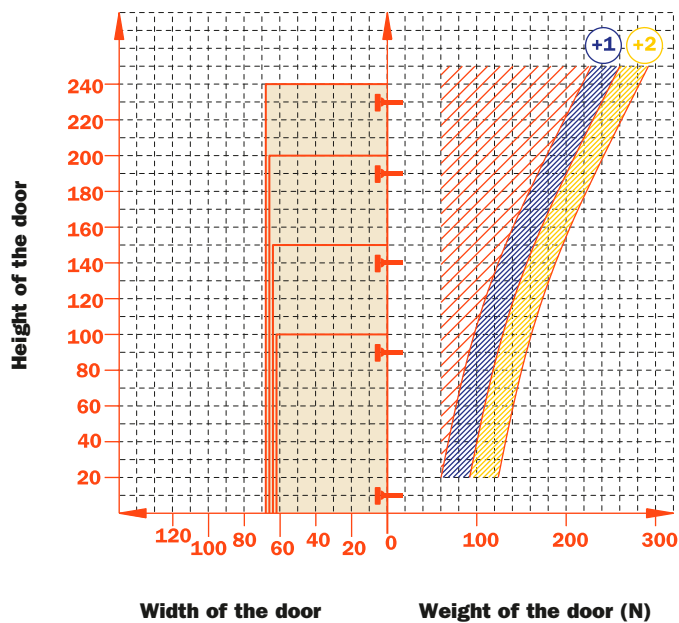
No drilling of the glass is required.  
Bright nickel plated die-cast cup and arm.

### Disclaimer

Salice Universal (CBG) hinges have been developed for use on glass doors and mirrors. Salice will accept no responsibility for any problems associated with the type of adhesive or method of application when used in conjunction with Universal hinges, nor for any consequences of the incorrect mounting of the door. It is recommended that the selected adhesive is subjected to prior testing. The adhesive may be considered appropriate if the plate, when fixed to the glass, can sustain a minimum torsion load of 160 Nm.

Constant "L" value of 0.7 mm (it does not change during side adjustment).

Approx. number of hinges required according to the door dimension and weight.



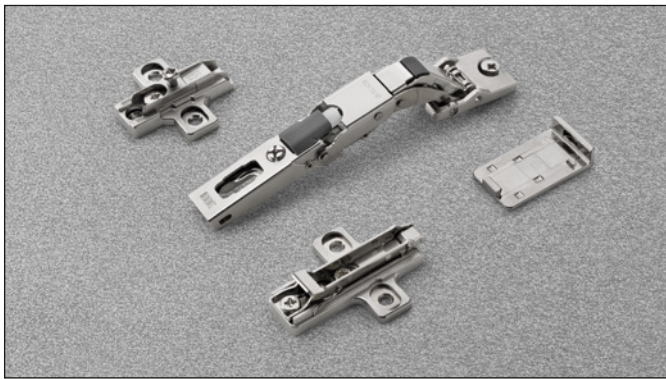
### Adjustments

Compensated side adjustment from -1.5 mm to +4.5 mm.  
Height adjustment  $\pm 2$  mm.  
Depth adjustment with Series 200 mounting plates +2.8 mm.  
Depth adjustment with Domi snap-on mounting plates from -0.5 mm to +2.8 mm.  
Anti-sliding safety stop.

### Mounting plates

Symmetrical and asymmetrical bright nickel plated steel or die-cast Series 200 mounting plates.  
Snap-on assembly on Domi mounting plates.  
Positioning with pre-determined stop on traditional Series 200 mounting plates.

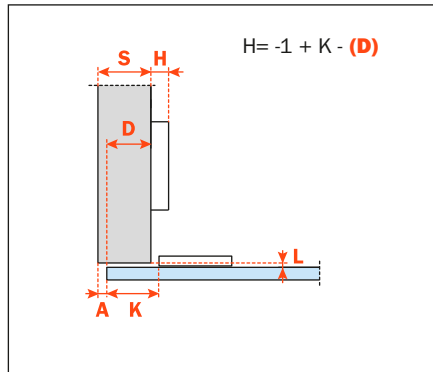
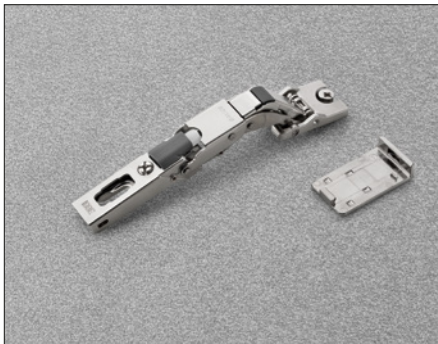
N.B. : Use POZIDRIVE No. 2 screwdrivers for all screws.



**Technical information**

**Hinges for glass doors.**  
**No drilling of the glass is required.**

Possible fixing inset distance on the door (K): from 0 to 22 mm.  
 110° opening. To limit the opening of the hinge, see page 17 chapter "Accessories".  
 Compatible with all traditional Series 200 mounting plates and with all Domi snap-on mounting plates.



**CBG2AE9** = with integrated soft-close

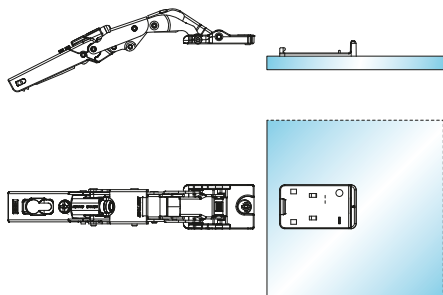
**CBG2AC9** = sprung hinge

**CBGQAC9** = with Push opening

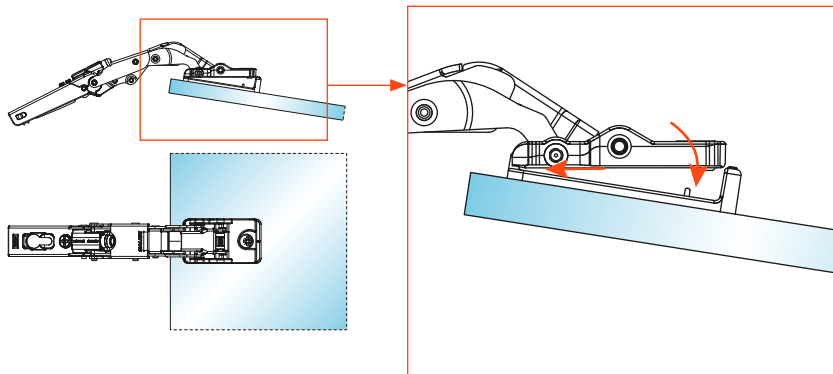
**CBG1AC9** = unsprung hinge

**Packing**

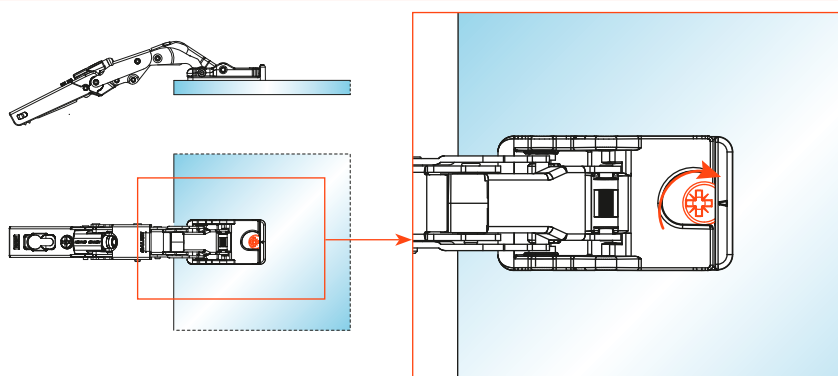
Boxes 150 pcs.  
 Pallets 3.600 pcs.



**1)** The hinge plate must be attached to the glass door with a specific adhesive using the correct procedure. We recommend that this operation is carried out by a specialist company. For further information on adhesives and their application, please contact the adhesive manufacturer or your glass supplier.



**2)** Locate the hinge onto the plate when it is bonded to the door.



**3)** Rotate the fixing cam.

# Universal hinges

for doors with a min. thickness of 8 mm

## Technical features

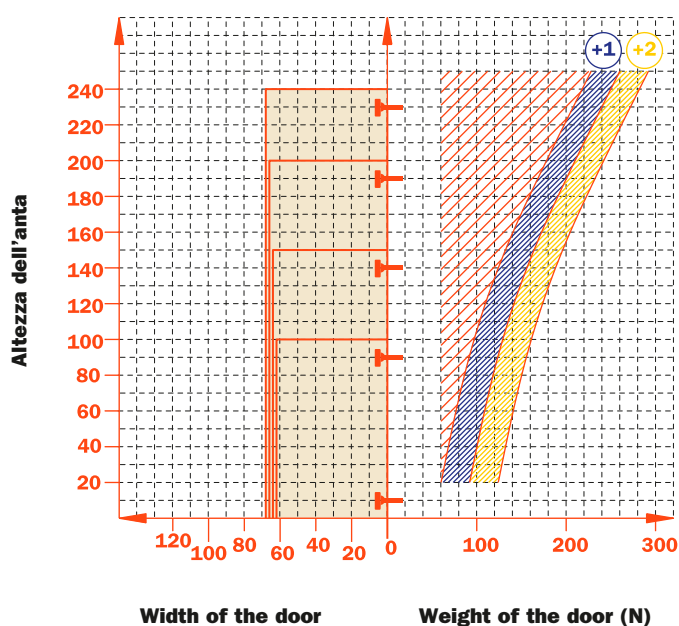
Hinges for doors with a minimum thickness of 8 mm made with special materials.  
Bright nickel plated die-cast cup and arm.

### Disclaimer

Salice Universal (CBY) hinges have been developed for use on doors with a min. thickness of 8 mm. The hinges must be fixed, if possible, with the screws included in the packaging. For special materials, we suggest to contact our technical Assistance Service. Salice will accept no responsibility for any problems associated with the use of screws different from those included or for any consequences of the incorrect method of application.

Constant "L" value of 0.7 mm (it does not change during side adjustment).

Approx. number of hinges required according to the door dimension and weight.



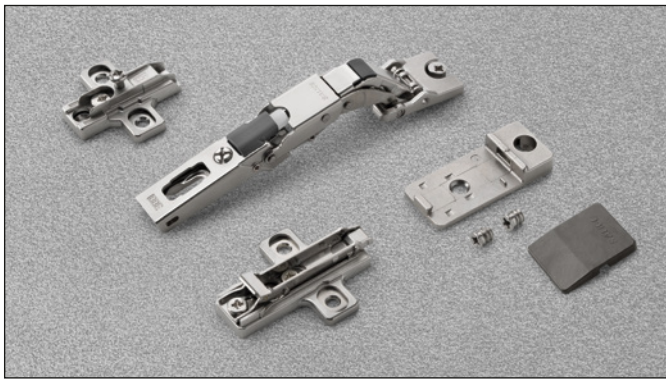
### Adjustments

Compensated side adjustment from -1.5 mm to +4.5 mm.  
Height adjustment  $\pm 2$  mm.  
Depth adjustment with Series 200 mounting plates +2.8 mm.  
Depth adjustment with Domi snap-on mounting plates from -0.5 mm to +2.8 mm.  
Anti-sliding safety stop.

### Mounting plates

Symmetrical and asymmetrical bright nickel plated steel or die-cast Series 200 mounting plates.  
Snap-on assembly on Domi mounting plates.  
Positioning with pre-determined stop on traditional Series 200 mounting plates.

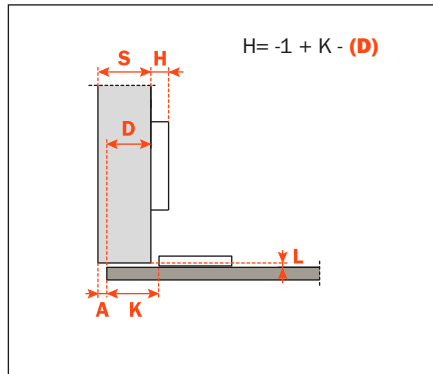
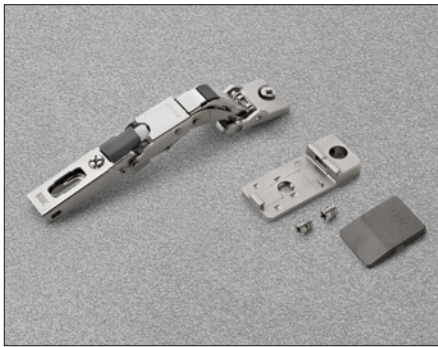
N.B. : Use POZIDRIVE No. 2 screwdrivers for all screws.



**Technical information**

**Hinges for doors with a minimum thickness of 8 mm made with special materials.**

Possible fixing inset distance on the door (K): from 0 to 22 mm. 110° opening. To limit the opening of the hinge, see page 17 chapter "Accessories". Compatible with all traditional Series 200 mounting plates and with all Domi snap-on mounting plates.



**CBY2AE9** = with integrated soft-close

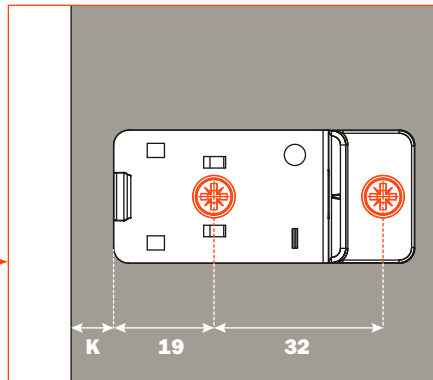
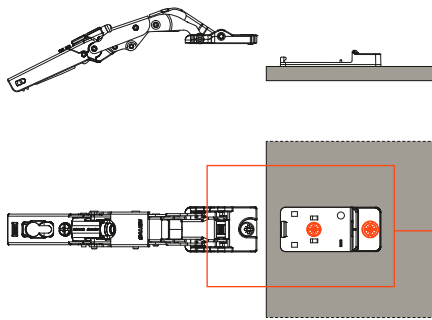
**CBY2AC9** = sprung hinge

**CBYQAC9** = with Push opening

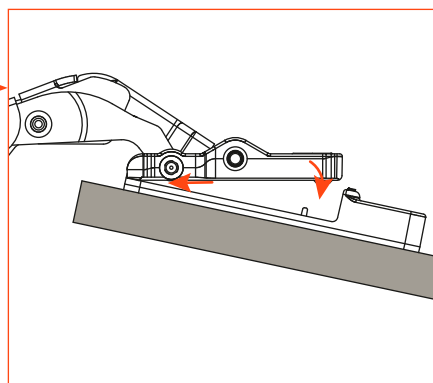
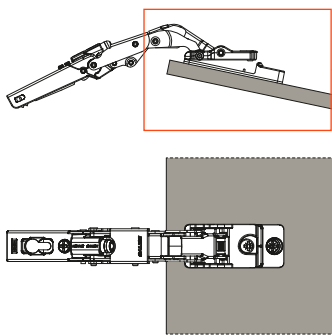
**CBY1AC9** = unsprung hinge

**Packing**

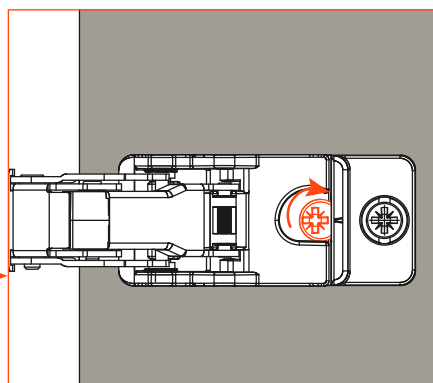
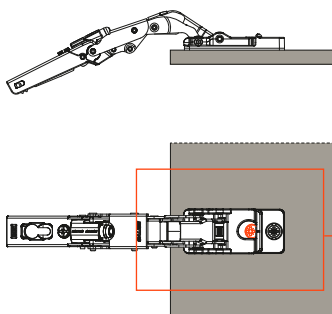
Boxes 150 pcs.  
Pallets 3.600 pcs



**1)** The hinge plate must be fixed to the door with the included screws.



**2)** Locate the hinge onto the plate when it is fixed to the door.



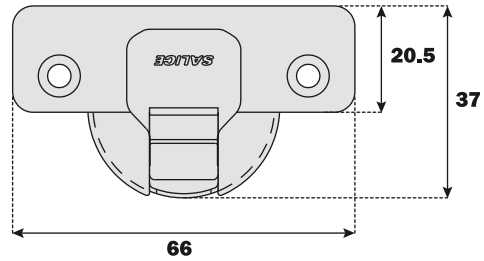
**3)** Rotate the fixing cam.

# Universal hinges for wooden doors

## Technical features

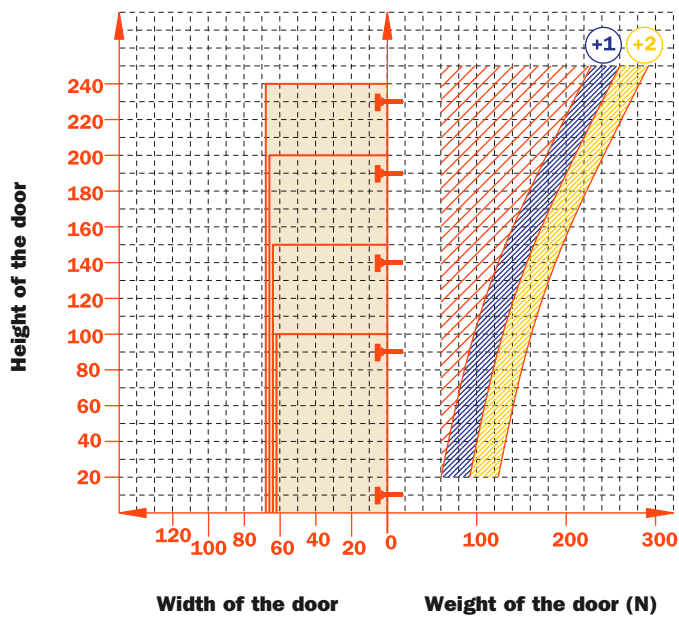
Universal hinges can provide a solution to a number of special applications, which include half-inset doors and doors with moulded profiles. Bright nickel plated die-cast cup and arm.

### Dimensions of the 35 mm cup.



Constant "L" value of 0.7 mm (it does not change during side adjustment).

Approx. number of hinges required according to the door dimension and weight.



### Adjustments

Compensated side adjustment from -1.5 mm to +4.5 mm.  
Height adjustment  $\pm 2$  mm.  
Depth adjustment with Series 200 mounting plates +2.8 mm.  
Depth adjustment with Domi snap-on mounting plates from -0.5 mm to +2.8 mm.  
Anti-sliding safety stop.

### Mounting plates

Symmetrical and asymmetrical bright nickel plated steel or die-cast Series 200 mounting plates.  
Snap-on assembly on Domi mounting plates.  
Positioning with pre-determined stop on traditional Series 200 mounting plates.

N.B. : Use POZIDRIVE No. 2 screwdrivers for all screws.



	<p>48  <math>\varnothing 35</math>          6  <math>110^\circ</math></p>	<p>45  <math>\varnothing 35</math>          9.5  <math>110^\circ</math></p>	<p>52  <math>\varnothing 35</math>          5.5  <math>110^\circ</math></p>
<p>Wood screw</p>	<b>A</b>	<b>P</b>	<b>U</b>
	<p>48  <math>\varnothing 35</math>          6  <math>\varnothing 10</math>  <math>110^\circ</math></p>	<p>45  <math>\varnothing 35</math>          9.5  <math>\varnothing 8</math>  <math>110^\circ</math></p>	<p>52  <math>\varnothing 35</math>          5.5  <math>\varnothing 10</math>  <math>110^\circ</math></p>
<p>Dowel</p>	<b>B</b>	<b>R</b>	<b>W</b>

Use this table to identify the available drillings and fixings.

Fill the third position of the hinge code number with the letter or the number corresponding to your choice. I.e.: CB\_2AC9.

↑  
 Fill this position with the chosen letter or number.

# Universal hinges - For wooden doors - 110° opening

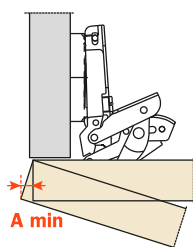


## Technical information

These hinges can provide a solution to a number of special applications, which include half-inset doors and doors with moulded profiles.

9 mm deep metal cup.  
 110° opening. To limit the opening of the hinge, see page 17 chapter "Accessories".  
 Possible drilling distance on the door (K): from 3 to 18 mm.  
 Compatible with all traditional Series 200 mounting plates and with all Domi snap-on mounting plates.

## Space needed to open the door

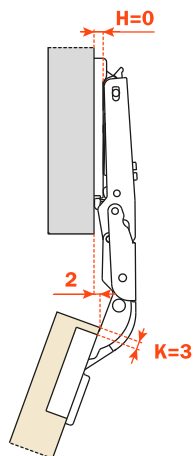


	T=	16	18	20	22	24	26
K=3	<b>A=</b>	0.0	0.0	0.0	0.0	0.3	1.4
K=4	<b>A=</b>	0.0	0.0	0.0	0.0	0.4	1.5
K=5	<b>A=</b>	0.0	0.0	0.0	0.0	0.5	1.9
K=6	<b>A=</b>	0.0	0.0	0.0	0.0	0.7	2.6
K=7	<b>A=</b>	0.0	0.0	0.0	0.0	11.3	12.8
K=8	<b>A=</b>	0.0	0.0	0.0	0.0	10.3	12.9
K=9	<b>A=</b>	0.0	0.0	0.0	0.0	9.3	11.9
K=10	<b>A=</b>	0.0	0.0	0.0	6.0	8.3	10.9
K=11	<b>A=</b>	0.0	0.0	0.0	5.1	7.3	9.9
K=12	<b>A=</b>	0.0	0.0	0.0	4.1	6.3	8.9
K=13	<b>A=</b>	0.0	0.0	1.4	3.3	5.3	7.9
K=14	<b>A=</b>	0.0	0.0	0.7	2.6	4.5	6.9
K=15	<b>A=</b>	0.0	0.0	0.2	2.0	3.8	5.9
K=16	<b>A=</b>	0.0	0.0	0.0	1.4	3.2	5.0
K=17	<b>A=</b>	0.0	0.0	0.0	1.0	2.7	4.4
K=18	<b>A=</b>	0.0	0.0	0.0	0.7	2.2	3.9

The above values are calculated on the assumption that the doors have square edges. They are reduced if the doors have radiussed edges.

## Projection of the door

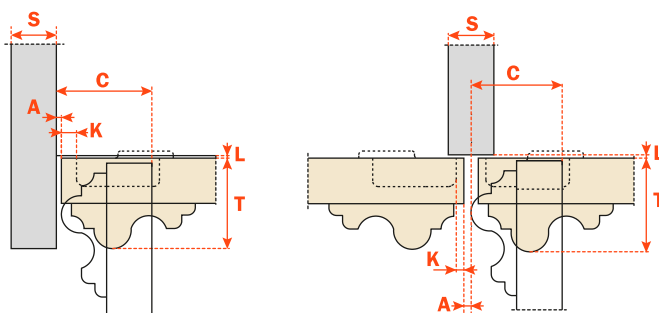
Projection of the door from the cabinet side at the max. opening. The figures are based on H=0 mm thickness of mounting plate and K value = 3 mm.



## "C" value

With this formula you can obtain the max. thickness of the moulded door that can be opened without touching adjacent carcass sides, doors or walls, whilst bearing in mind the above K-T values.

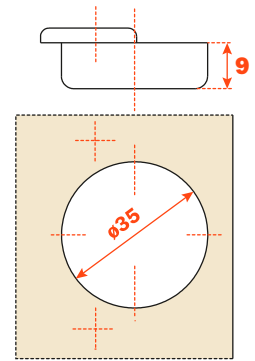
$$C = 5.5 + K + A$$



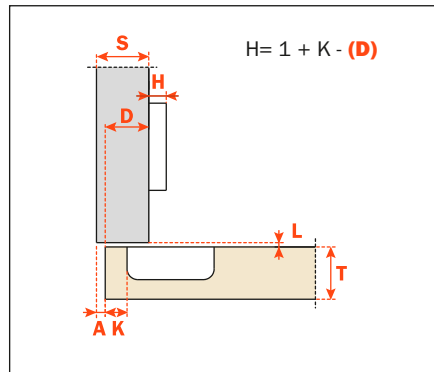
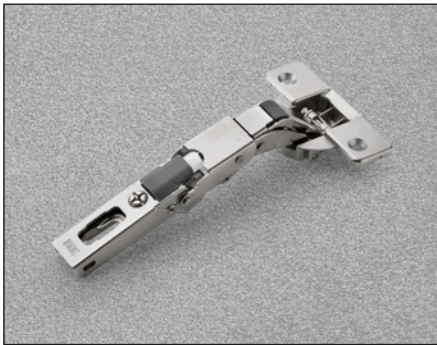
**Packing**

Boxes 150 pcs.  
Pallets 3.600 pcs.

Use these formulas to determine the drilling distance "K" and the height of the mounting plate "H" which is necessary to solve each application problem.



Arm 0



**CB\_2AE9** = with integrated soft-close

**CB\_2AC9** = sprung hinge

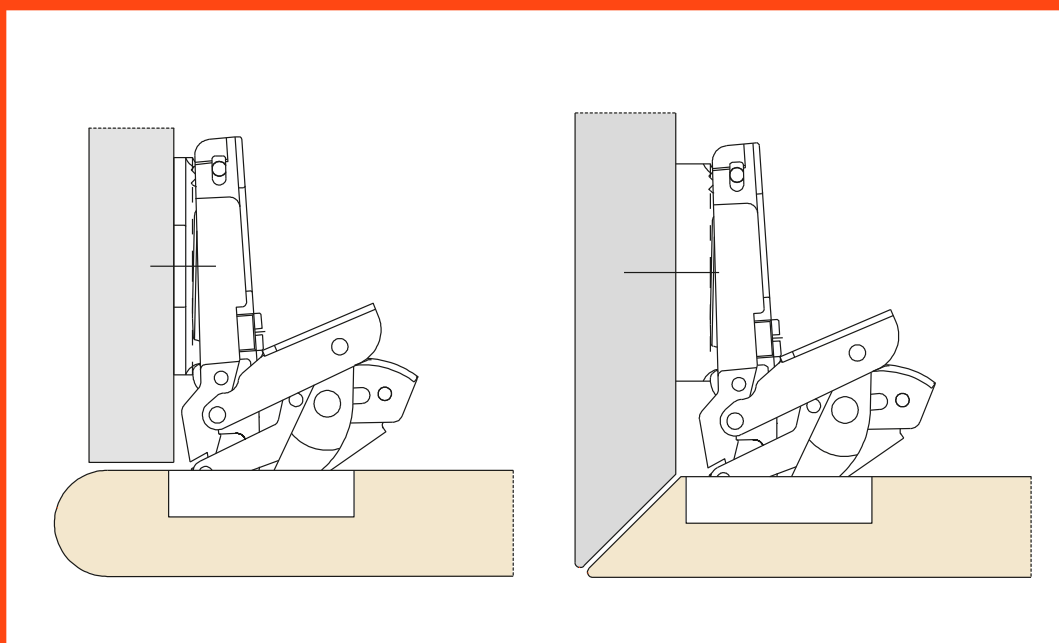
**CB\_QAC9** = with Push opening

**CB\_1AC9** = unsprung hinge

Drillings and fittings  
at page 9.

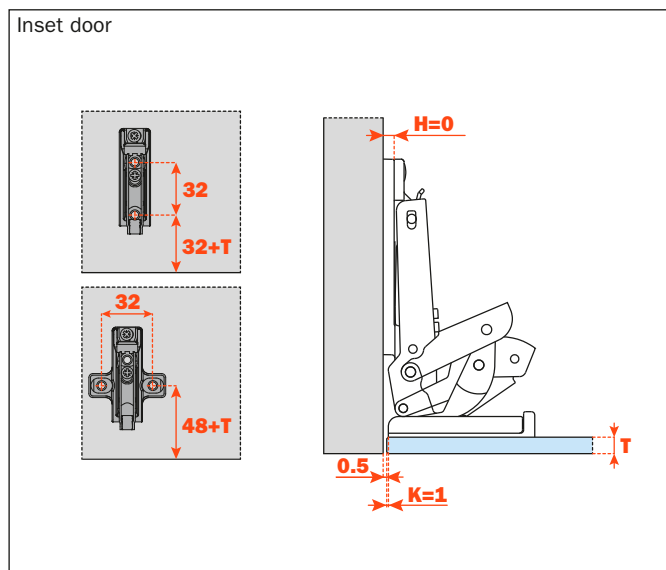
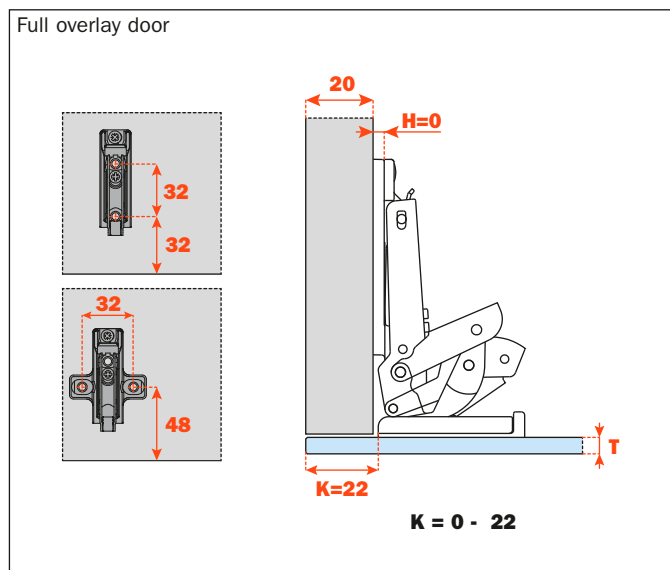


## Applications

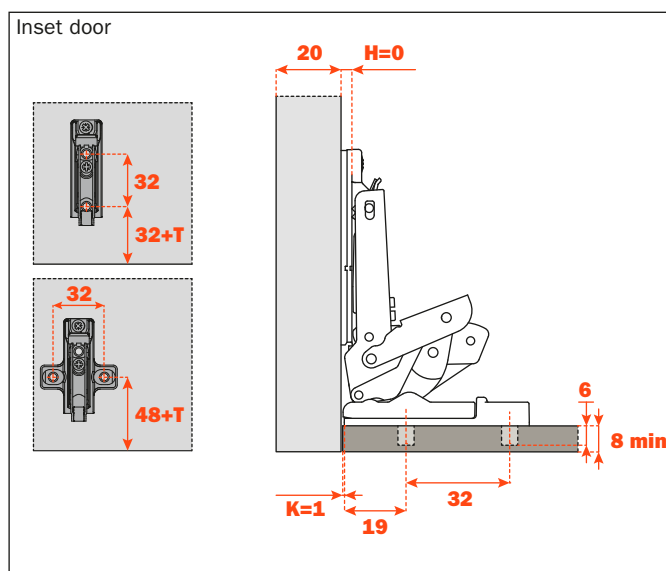
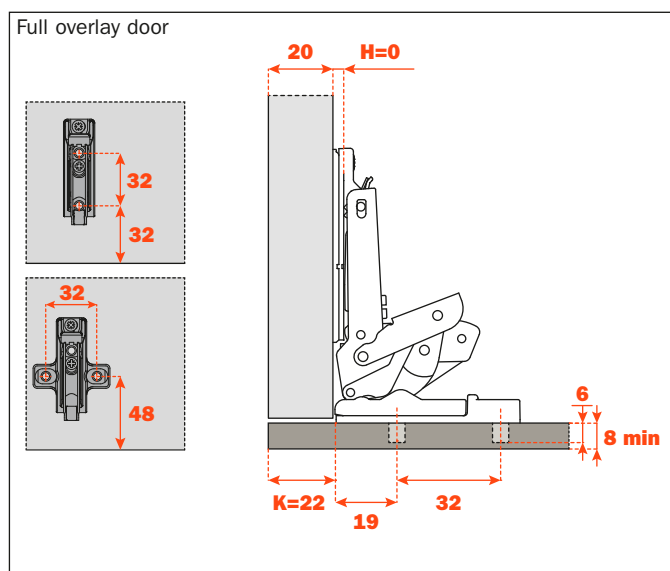


# Universal hinges - Applications

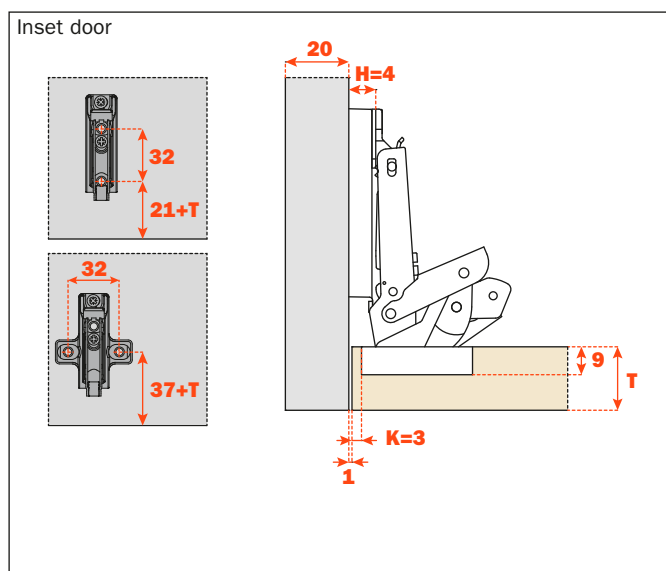
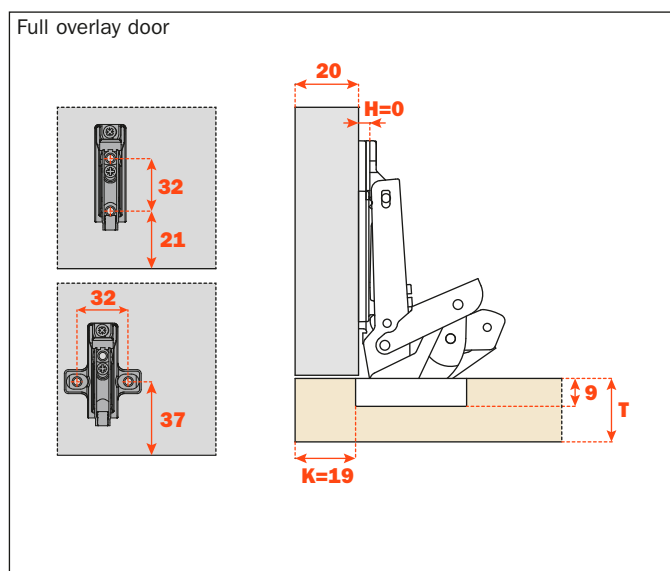
## Glass doors



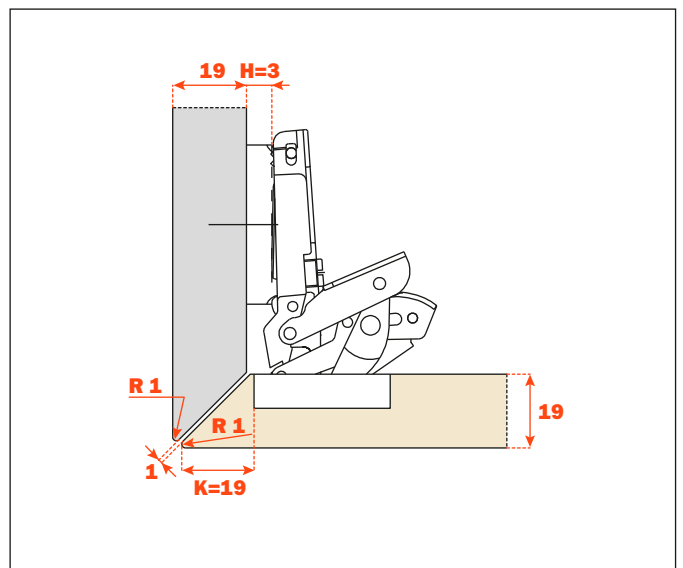
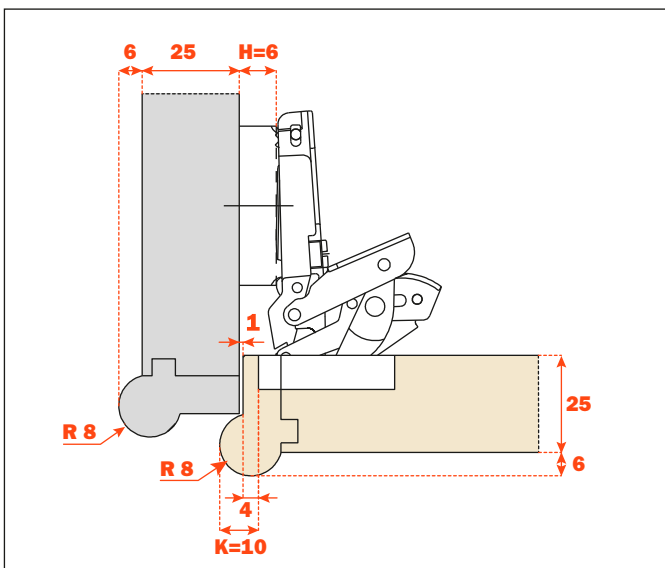
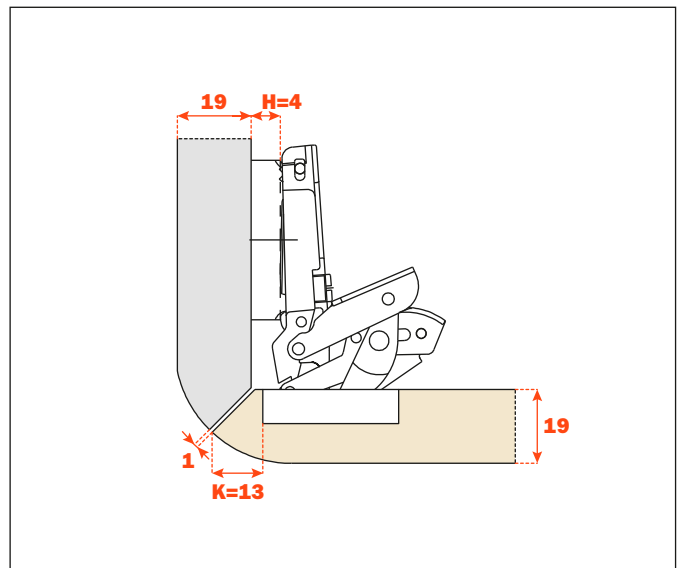
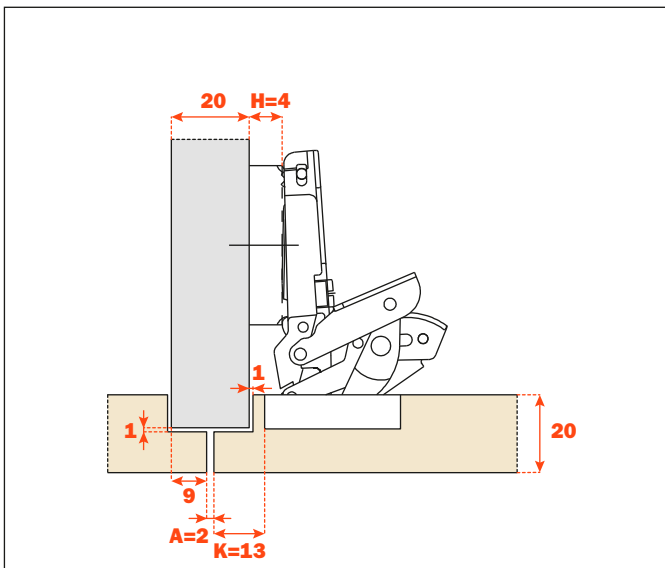
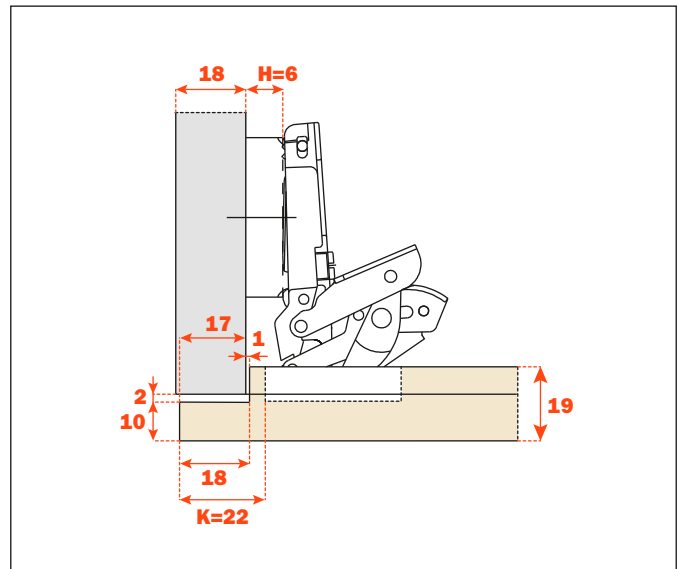
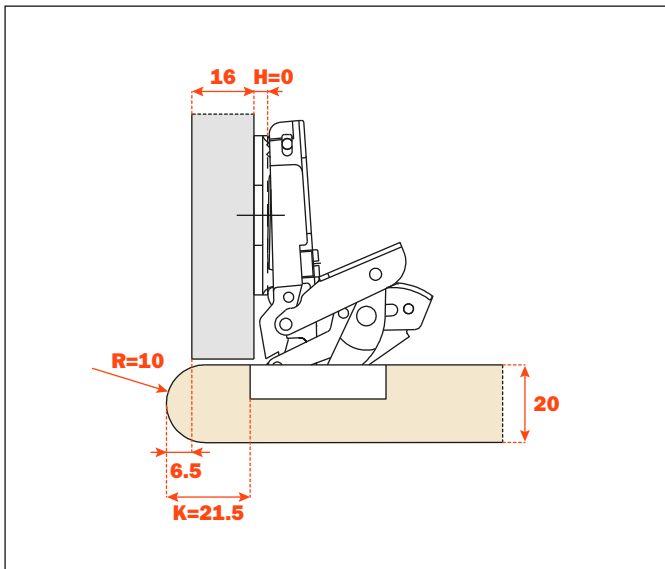
## Doors with a minimum thickness of 8 mm made with special materials



## Wooden doors



**Wooden doors - Special assemblies**







## Accessories



## Hinge arm cover caps.

### S2BX83H9



Symmetrical steel hinge arm cover cap, it can be personalised on request.

### S2MX83H9



Symmetrical steel hinge arm cover cap with embossed logo.

## Flange cover cap for $\varnothing$ 35 mm cup.

### SBXX85A\_



Plastic flange cover cap.

Available colours:

**SBXX85A9** = Nickel plated

**SBXX85A6** = Titanium

#### Packing

Boxes 1.000 pcs.

## Cover.

## Smove.

### SBAX78A6SN



#### Packing

Boxes 300 pcs.

### DBDES6

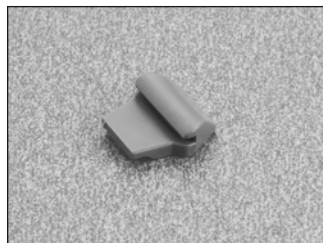


#### Packing

Boxes 300 pcs.

## Stop device.

### SBA237X6



It limits the opening angle to 90°.

#### Packing

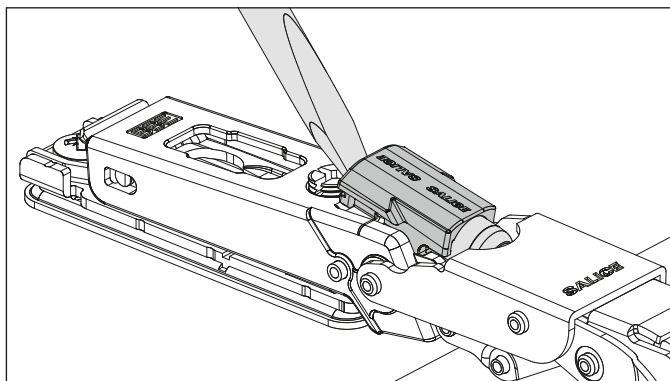
Boxes 2.000 pcs.

# Disassembly and assembly instructions

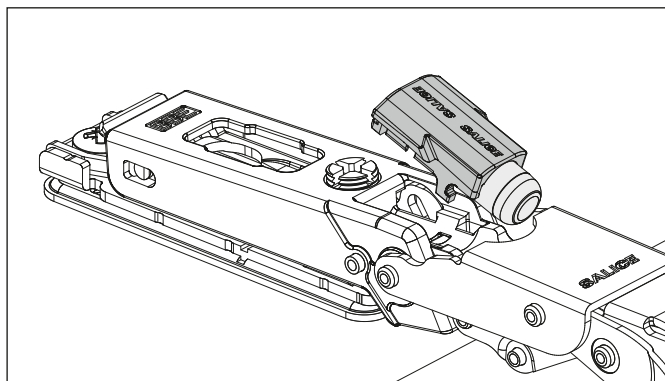
## Disassembly of the Smove.

It is possible to convert the hinges with integrated soft-close into sprung hinges by replacing the Smove with the cover.

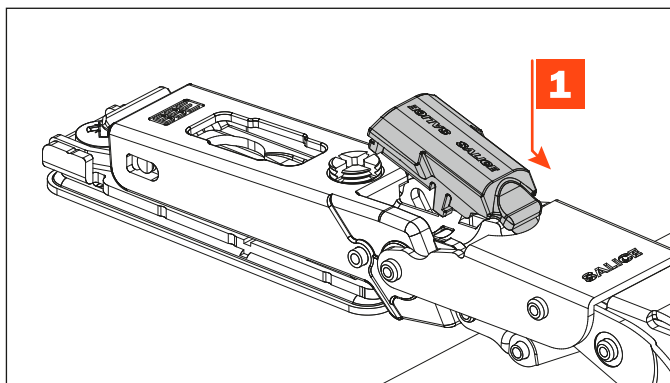
Lift the Smove using a flat-blade screwdriver.



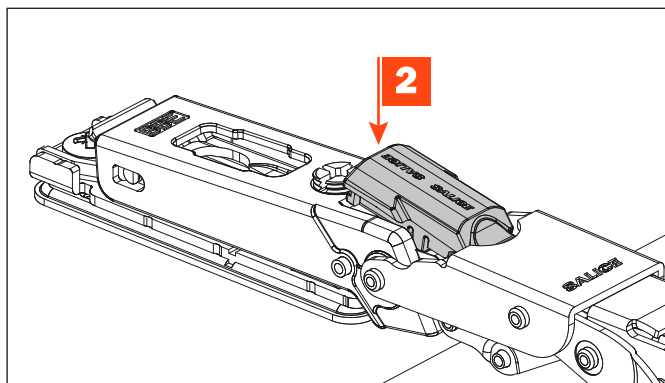
Remove the Smove from the hinge arm.



Insert the cover frontally.



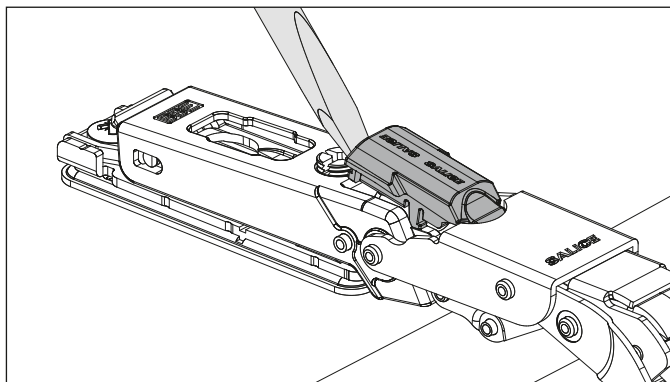
Press lightly on the back to fix in position.



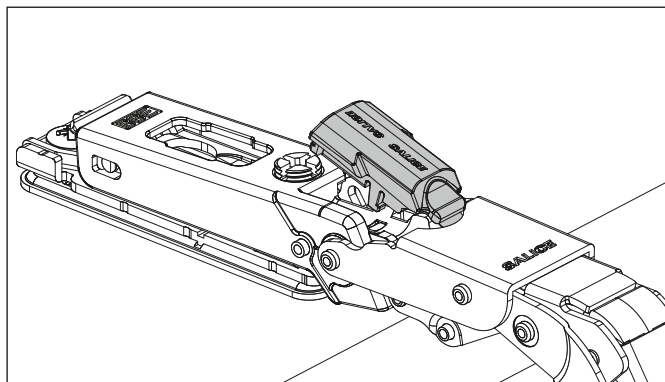
## Disassembly of the cover.

It is possible to convert the sprung hinges into hinges with integrated soft-close by replacing the cover with the Smove.

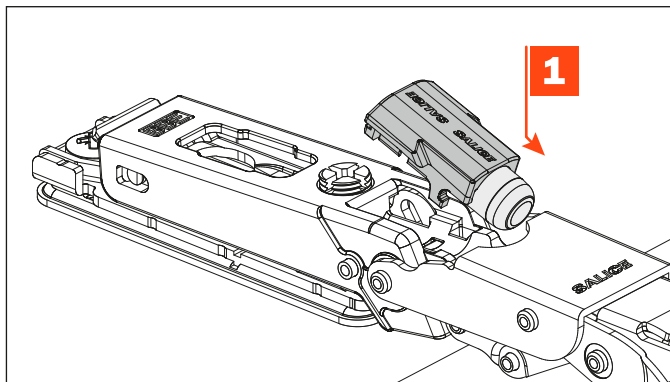
Lift the cover using a flat-blade screwdriver.



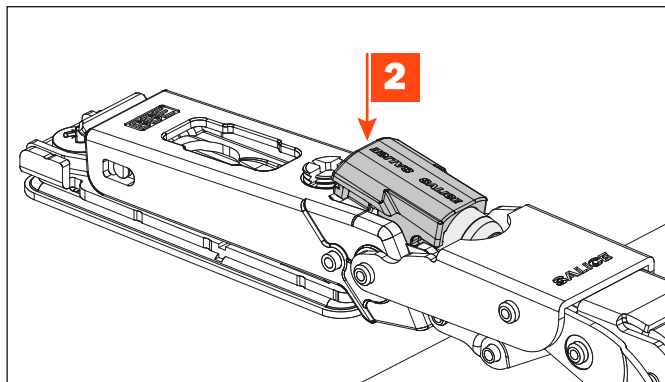
Remove the cover.



Insert the Smove frontally.



Press lightly on the back to fix in position.



## ARTURO SALICE S.p.A.

VIA PROVINCIALE NOVEDRATESE, 10  
22060 NOVEDRATE (COMO) ITALIA  
TEL. 031 790424 - FAX 031 791508  
info.salice@salice.com - www.salice.com

### DEUTSCHE SALICE GMBH

RUDOLF DIESEL STR. 10  
POSTFACH 1154  
74382 NECKARWESTHEIM  
TEL. 07233 9807-0  
FAX. 07233 9807-16  
info.salice@deutschesalice.de  
www.salice.com

### DEUTSCHE SALICE GMBH

VERKAUFSBÜRO NORD  
RINGSTRASSE 36/A30 CENTER  
32584 LÖHNE  
TEL. 05731 15608-0  
FAX. 05731 15608-10  
vknord@deutschesalice.de  
www.salice.com

### SALICE UK LTD.

KINGFISHER WAY  
HINCHINGBROOKE BUSINESS PARK  
HUNTINGDON CAMBS PE 29 6FN  
TEL. 01480 413831  
FAX. 01480 451489  
info.salice@saliceuk.co.uk  
www.salice.com

### SALICE FRANCE S.A.R.L.

ROUTE DE GOA ZAC LES 3 MOULINS  
06600 ANTIBES  
TEL. 0493 330069  
FAX. 0493 330141  
info.salice@salicefrance.com  
www.salice.com

### SALICE ESPAÑA, S.L.U.

CALLE COPÉRNICO, 11  
POLÍGONO INDUSTRIAL COLL DE LA MANYA  
08403 GRANOLLERS (BARCELONA)  
TEL. 938 45 88 61  
FAX 938 49 11 97  
info.salice@saliceespana.es  
www.salice.com

### SALICE PORTUGAL UNIP. Lda

VIA ROTA DOS MÓVEIS | n°399  
4585-325 GANDRA-PRD (DIST. PORTO)  
PORTUGAL  
TEL. 0351 910077406  
saliceportugal@salice.com  
www.salice.com

### SALICE CHINA (SHANGHAI) CO. LTD.

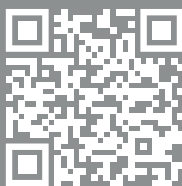
1st FLOOR, B1 BLDG 928 MINGZHU ROAD  
XUJING, QINGPU DISTRICT  
SHANGHAI 201702 - CHINA  
Tel. 021 3988 9880  
Fax 021 3988 9882  
info.salice@salicechina.com  
www.salicechina.com

### SALICE CANADA INC.

3500 RIDGEWAY DRIVE,  
UNIT#1  
MISSISSAUGA, ONTARIO, L5L 0B4  
TEL. 905 8208787  
FAX. 905 8207226  
info.salice@salicecanada.com  
www.salicecanada.com

### SALICE AMERICA INC.

2123 CROWN CENTRE DRIVE  
CHARLOTTE NC. 28227  
TEL. 704 8417810  
FAX. 704 8417808  
info.salice@saliceamerica.com  
www.saliceamerica.com



#### Digital contents:

- Technical pamphlet in Pdf format
- Video