



**Futura**

***SALICE***



# Index

<b>Fixing</b>	page 5
<b>Technical information</b>	page 6
<b>Part number composition</b>	page 19
<b>Packing</b>	page 20

---



## Futura Self-closing

<b>61200</b>	Concealed runner - part-extension	page 22
<b>61500</b>	Concealed runner - part-extension	page 24
<b>65200</b>	Concealed runner - full-extension	page 26
<b>65500</b>	Concealed runner - full-extension	page 28

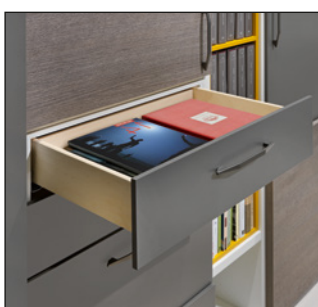
---



## Futura Push

<b>61277</b>	Concealed runner - part-extension	page 32
<b>61577</b>	Concealed runner - part-extension	page 34
<b>65277</b>	Concealed runner - full-extension	page 36
<b>65577</b>	Concealed runner - full-extension	page 38

---



## Futura Smove

<b>61250</b>	Concealed runner - part-extension	page 42
<b>61550</b>	Concealed runner - part-extension	page 44
<b>65250</b>	Concealed runner - full-extension	page 46
<b>65550</b>	Concealed runner - full-extension	page 48

---



## Accessories

<b>Futura Push synchroniser</b>	page 52
<b>Stabiliser for drawers</b>	page 59
<b>Drawer drilling templates for Futura runners</b>	page 60
<b>Spacers for Futura runners</b>	page 61
<b>Fixing screws</b>	page 62

**FUTURA**

Futura, the concealed runner produced by Salice, is suitable for all drawer opening applications, both with part- and full-extension.

It is available in three versions:

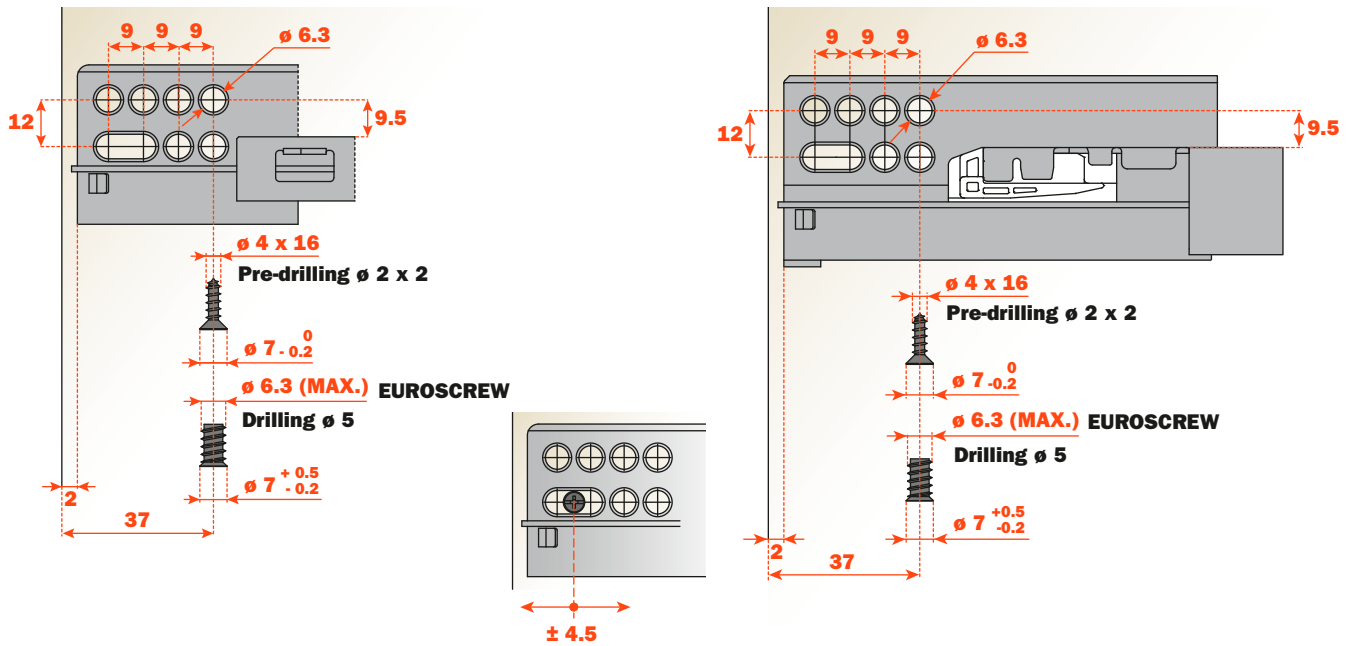
- with traditional Self-closing (see page 21);
- with Push opening in handle-less furniture (see page 31);
- with Smove decelerated closing (see page 41).



# Fixing

## Fixing part-extension runner on cabinet side.

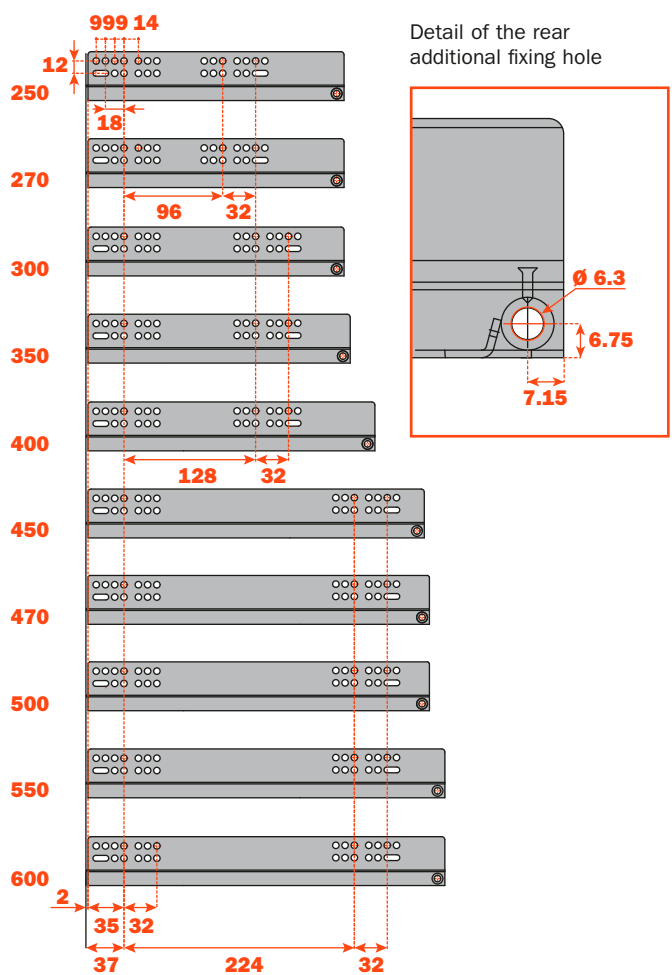
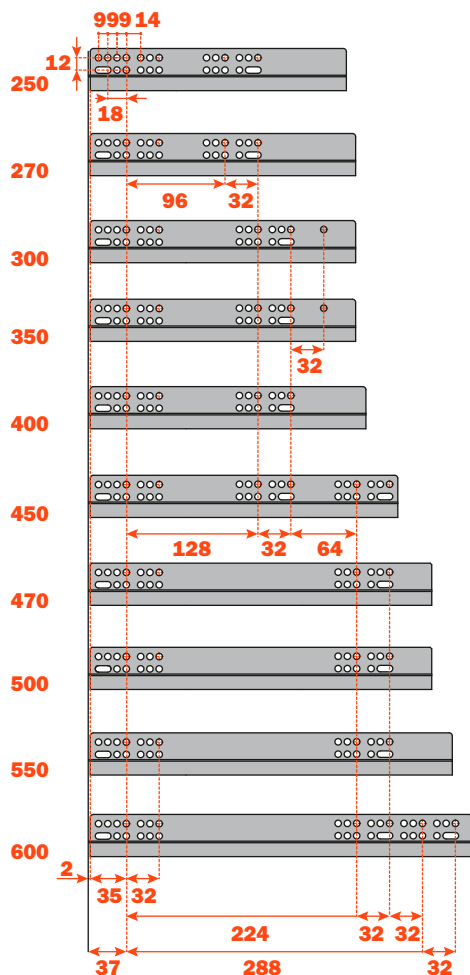
## Fixing full-extension runner on cabinet side.



The oval slot allows the easy alignment of drawer frontals particularly in multi drawer and Push applications.

## Drilling positions for runner on cabinet side. Part-extension

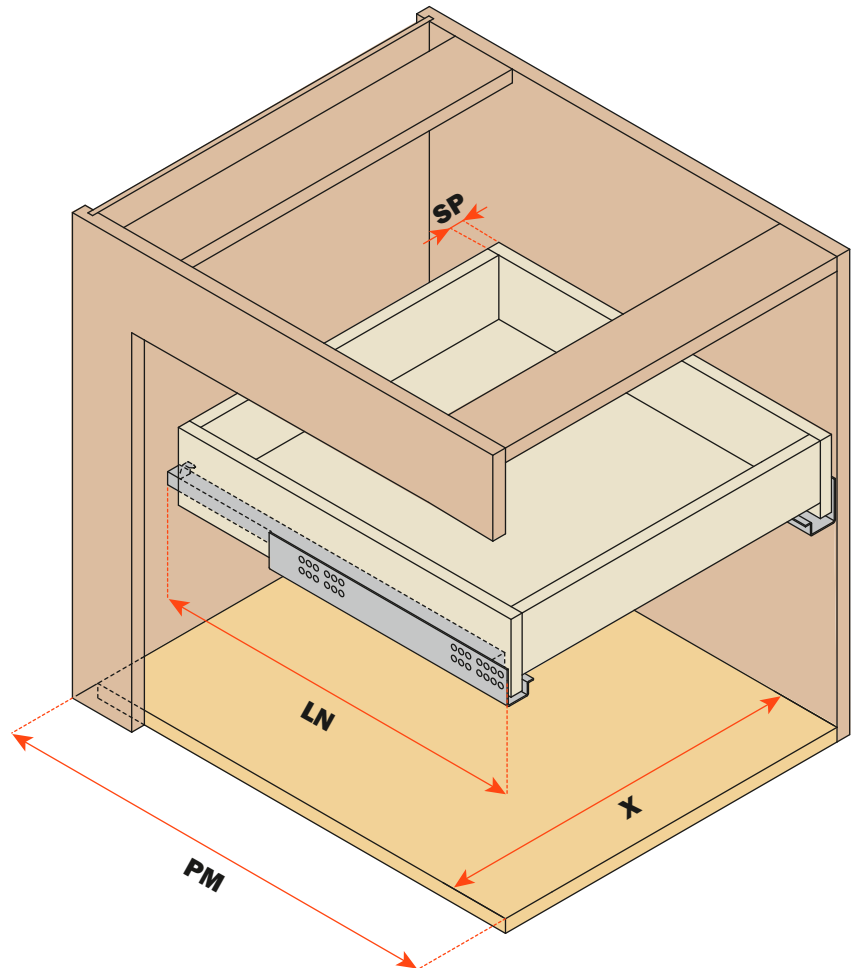
## Drilling positions for runner on cabinet side. Full-extension



**Futura - Pin fix version - Drawer setting**

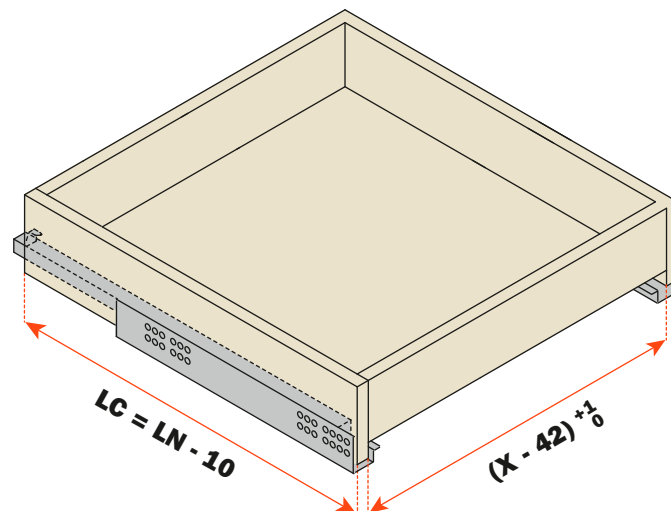
**Abbreviations**

- SP** = Thickness of the drawer
- LN** = Nominal runner length
- PM** = Depth of the cabinet
- X** = Internal width of the cabinet



**Drawer dimensions**

- LC** = Runner length - 10 mm
- X - 42** = Internal width of the drawer

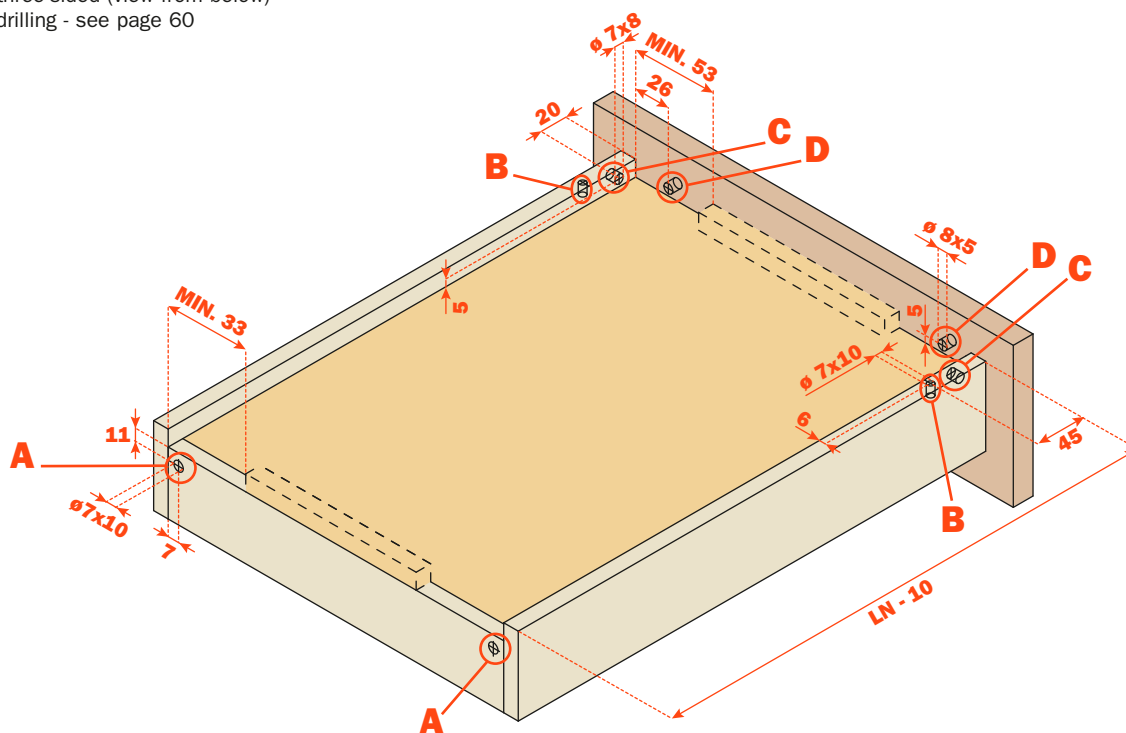


The drawer length is 10 mm shorter than the runner length

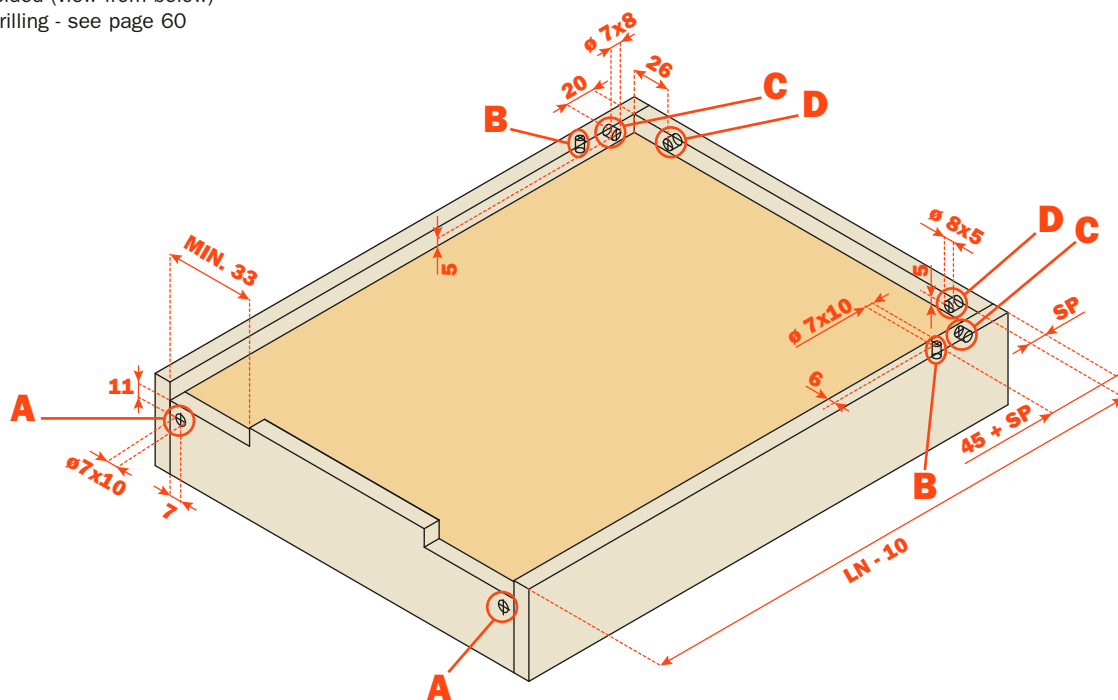
The internal width of the drawer is 42 mm less than the internal width of the cabinet

## Pin fix version - Drawer drilling

Drawer with frontal - three-sided (view from below)  
 Template for drawer drilling - see page 60



Internal drawer - four-sided (view from below)  
 Template for drawer drilling - see page 60

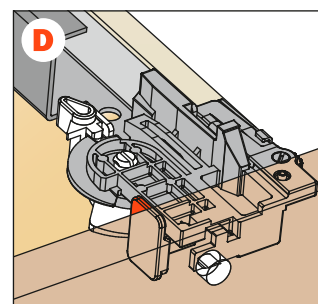
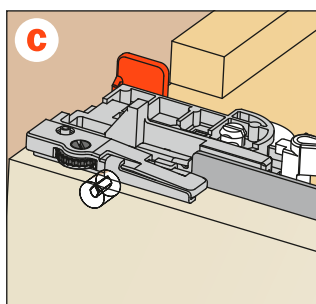
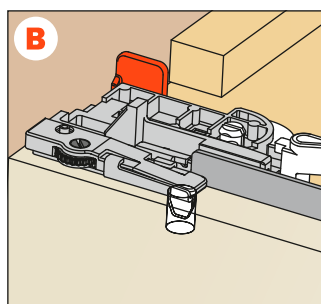
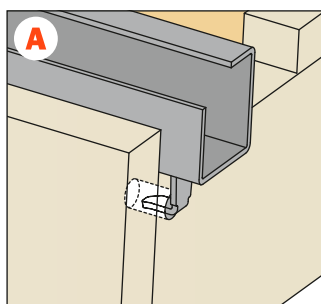


Rear hook

Drawer locating pin

Security pin -  
fixing to the drawer

Security pin -  
fixing to the frontal



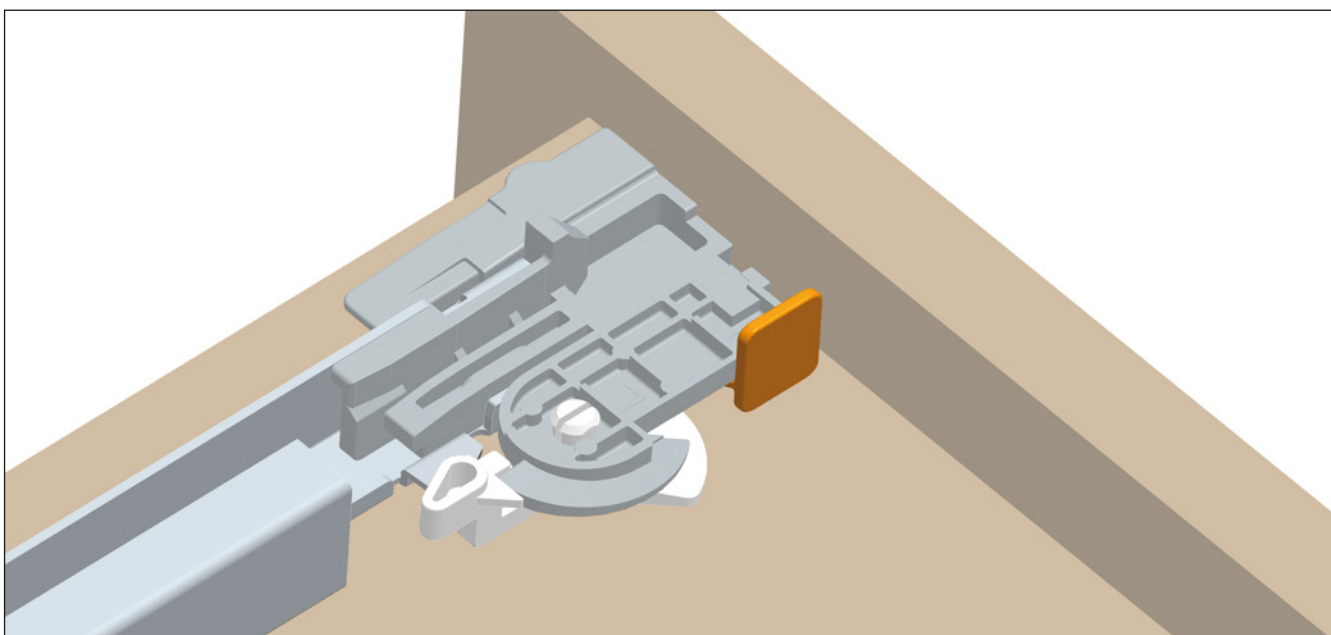
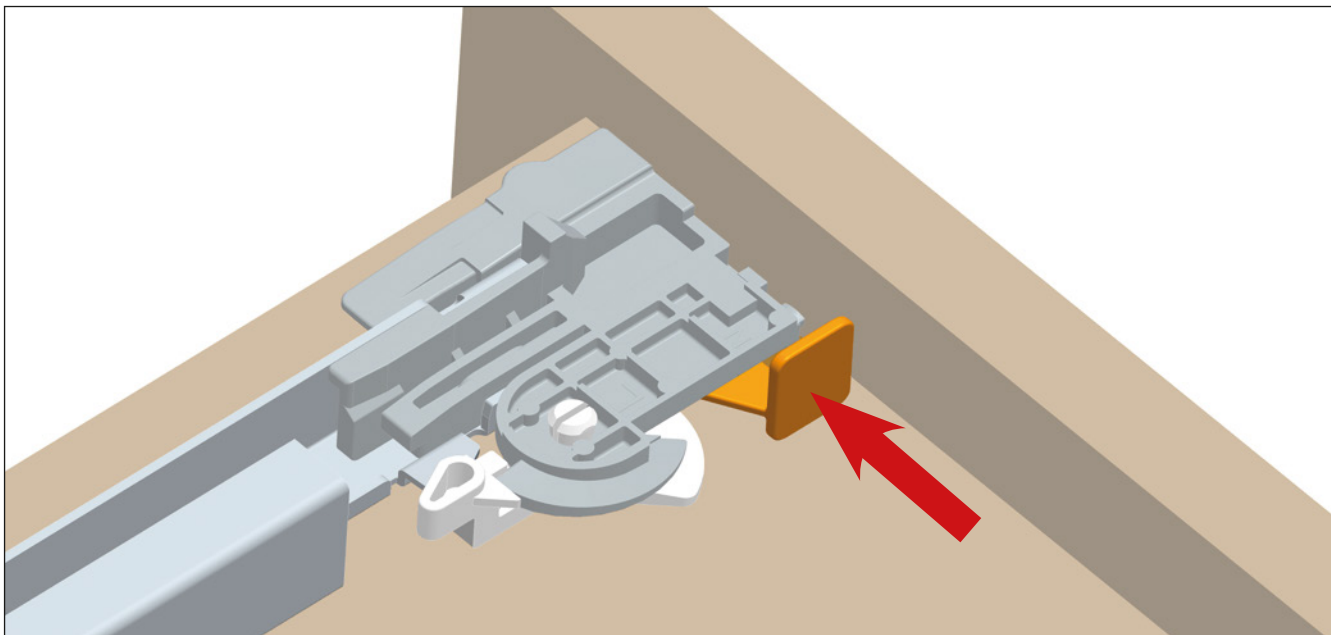
## Futura - Pin fix version - Technical information

### Fixing of the drawer security pin

Available on all runner versions.

This operation is tool free.

The device locks the drawer onto the runners.



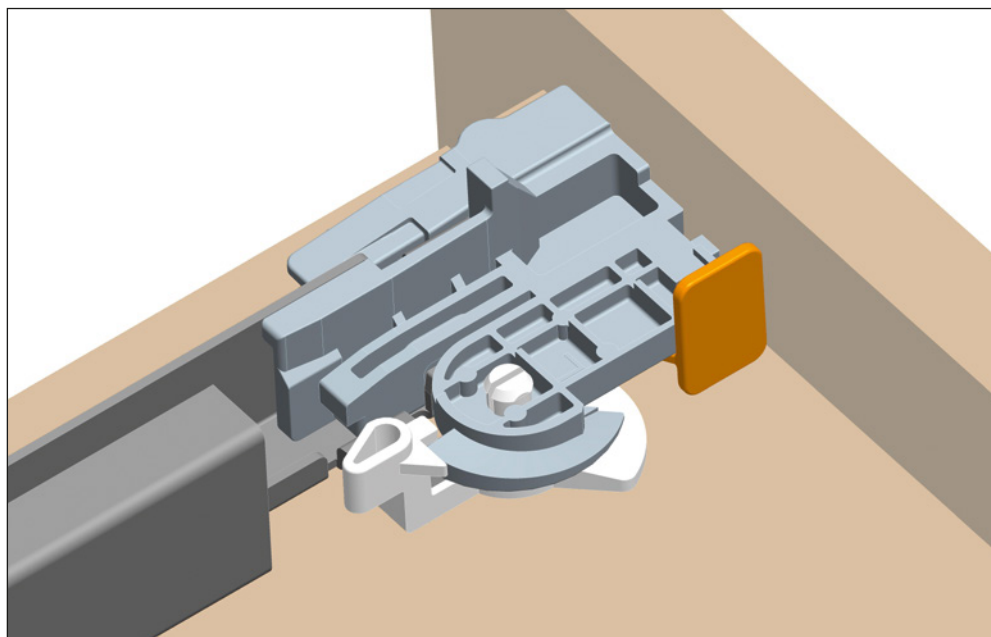
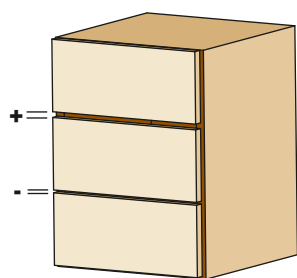


## Pin-fix version - Adjustments

### Height adjustment + 3 mm

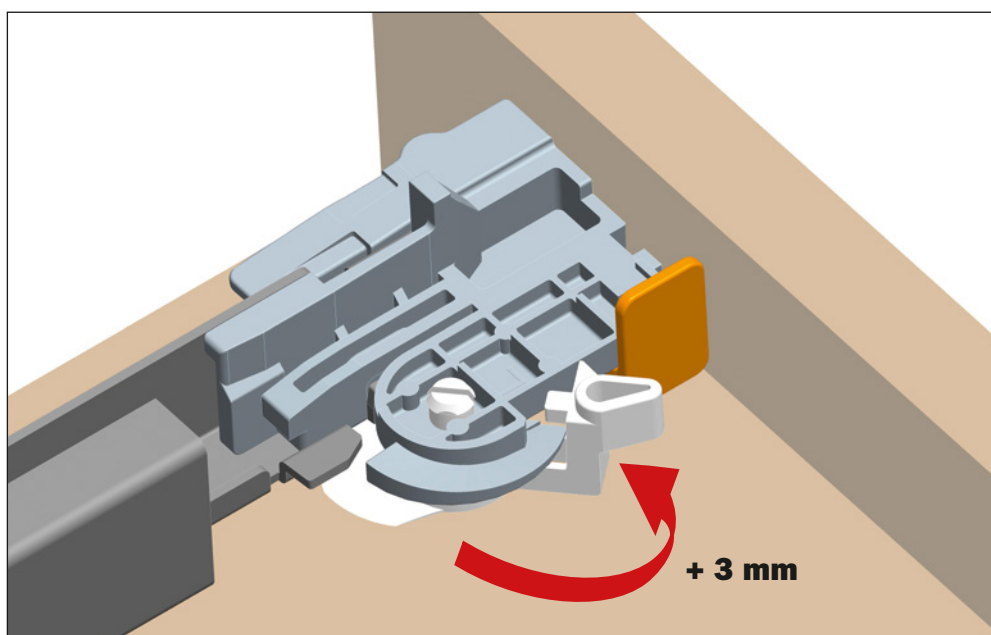
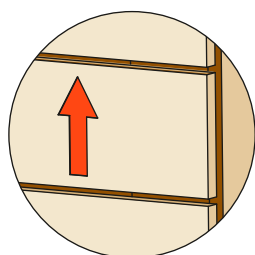
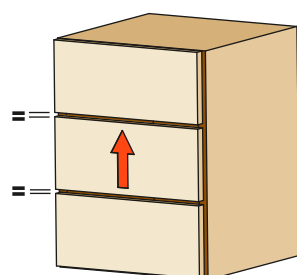
Available on all runner versions.  
This operation is tool free.

Initial position of the lever for the height adjustment.



Turn the lever towards the front of the drawer to achieve the height adjustment.

This operation is tool free.

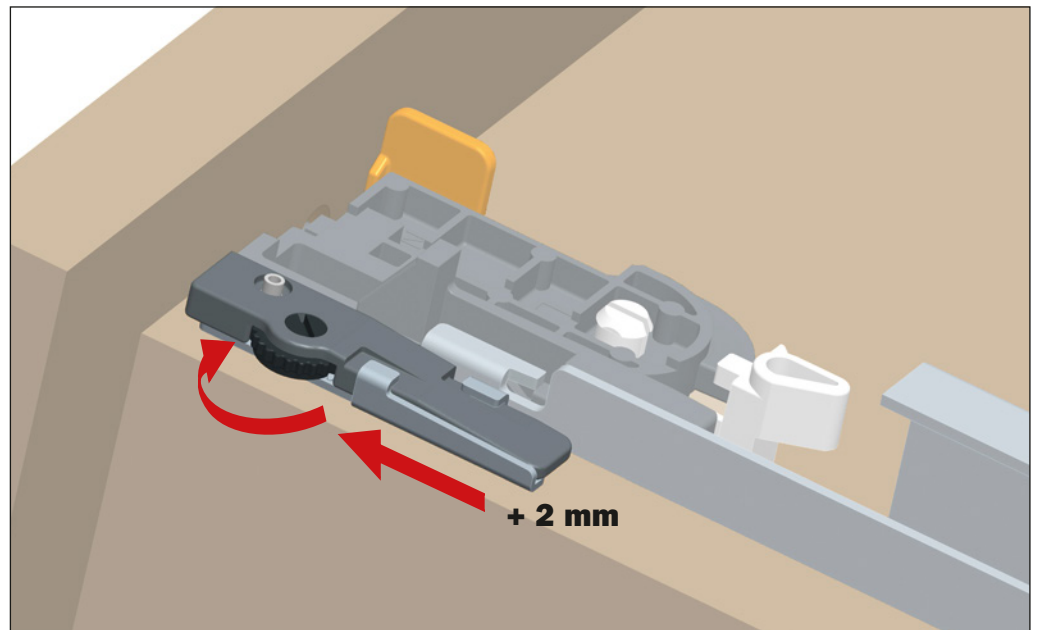
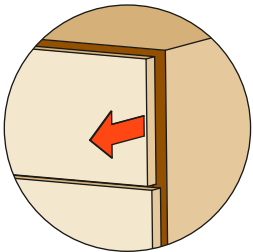
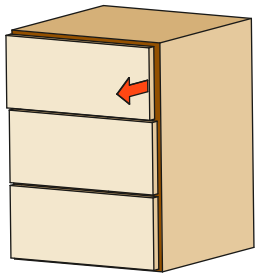


**Futura - Pin fix version - Adjustments****Depth adjustment + 2 mm - 2 mm**

Available on all Push runners.

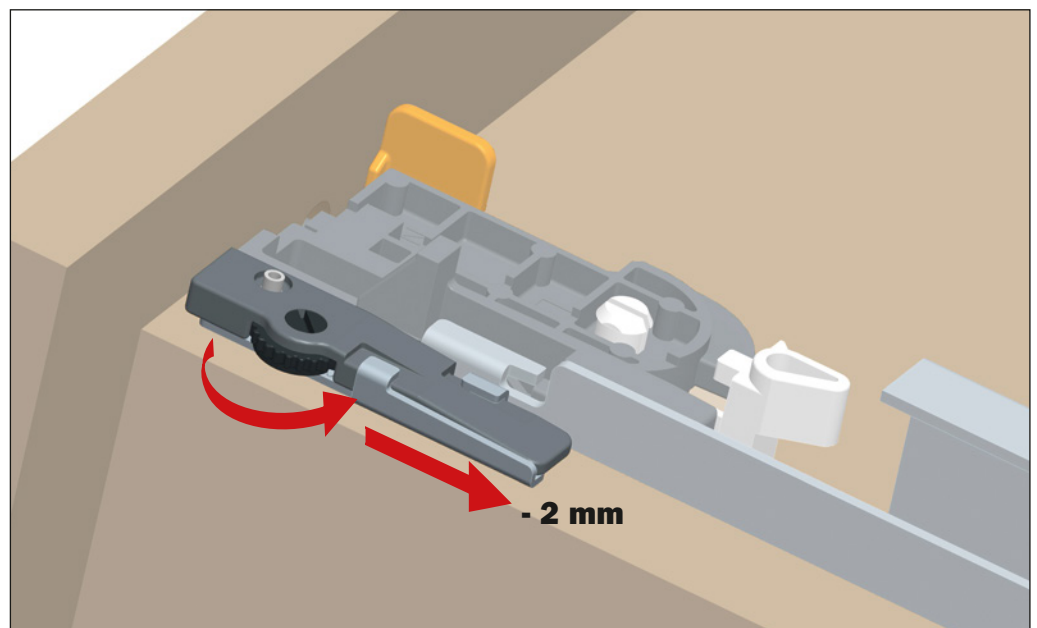
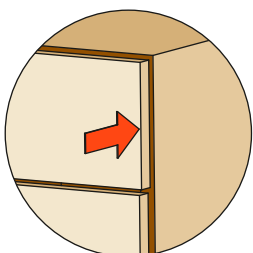
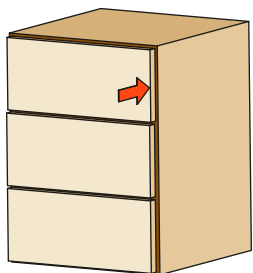
Rotate the black wheel towards the front of the drawer to move the drawer forward.

This operation is tool free.



Rotate the black wheel towards the back of the drawer to move the drawer backward.

This operation is tool free.



## Clip version - Drawer setting

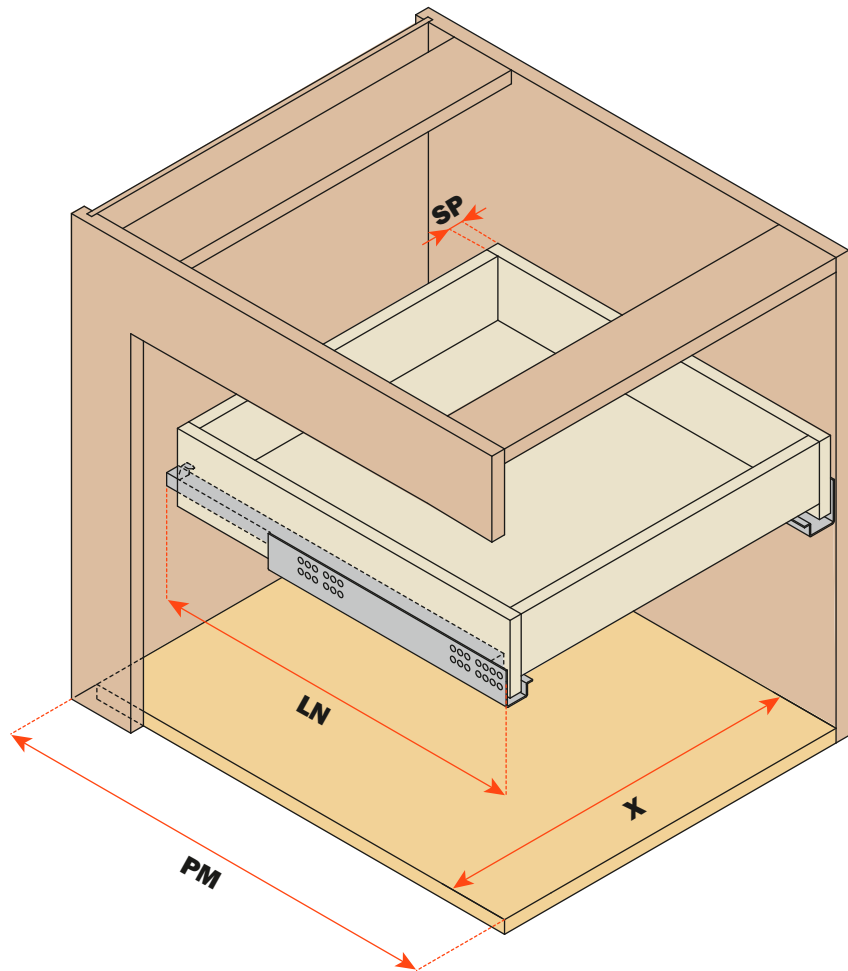
### Abbreviations

**SP** = Thickness of the drawer

**LN** = Nominal runner length

**PM** = Depth of the cabinet

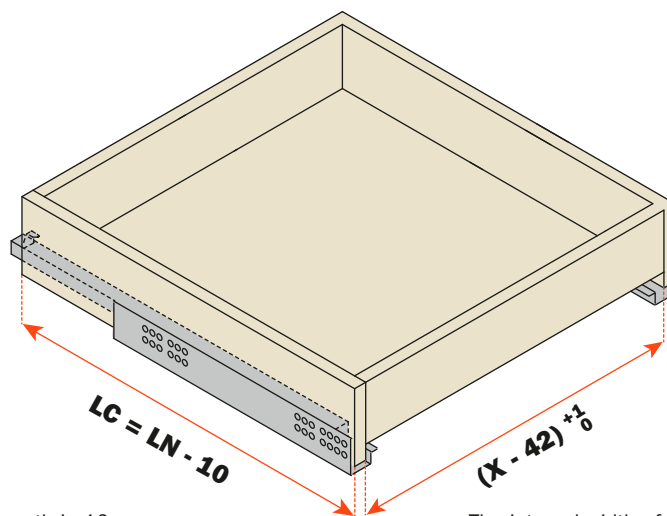
**X** = Internal width of the cabinet



### Drawer dimensions

**LC** = Runner length - 10 mm

**X - 42** = Internal width of the drawer

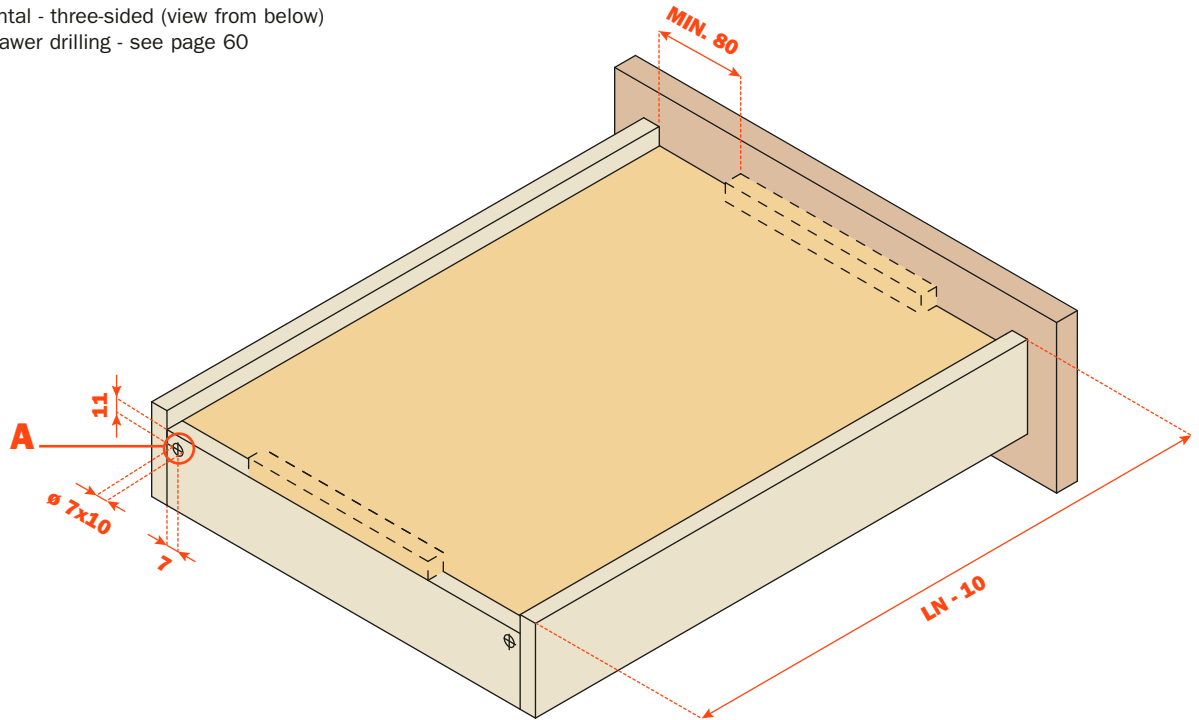


The drawer length is 10 mm shorter than the runner length

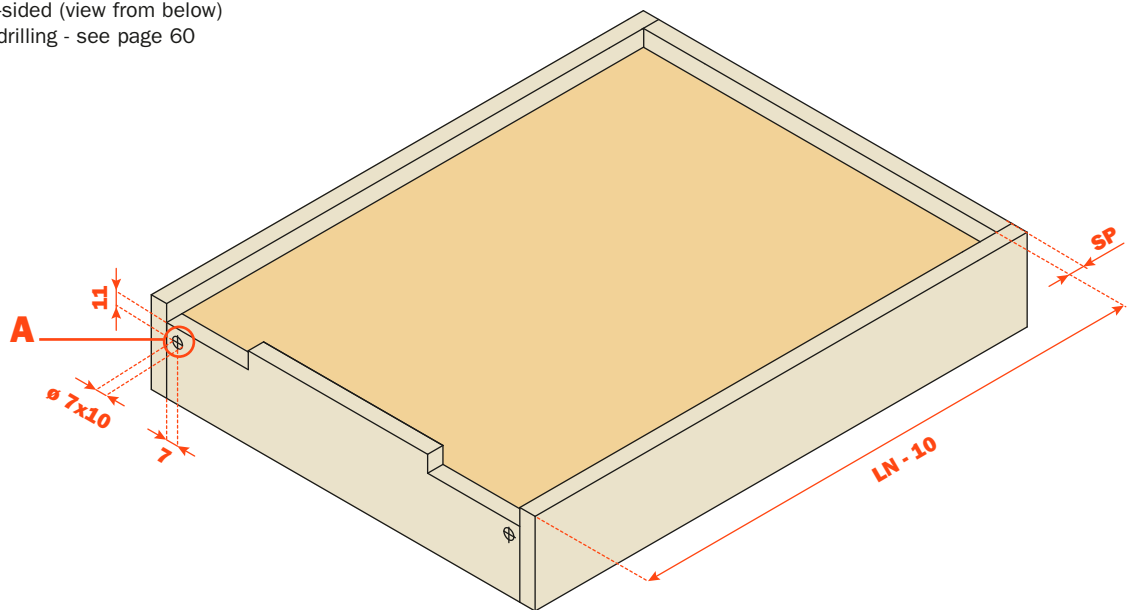
The internal width of the drawer is 42 mm less than the internal width of the cabinet

## Futura - Clip - Drawer drilling

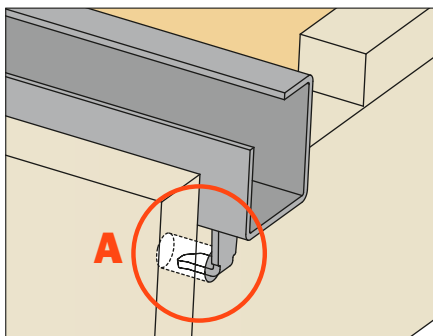
Drawer with frontal - three-sided (view from below)  
 Template for drawer drilling - see page 60



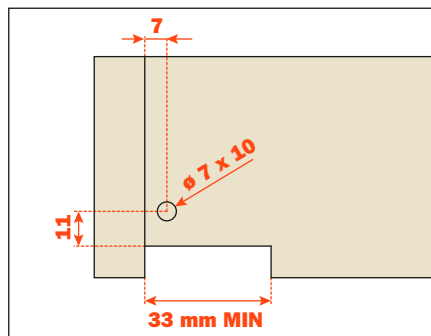
Internal drawer - four-sided (view from below)  
 Template for drawer drilling - see page 60



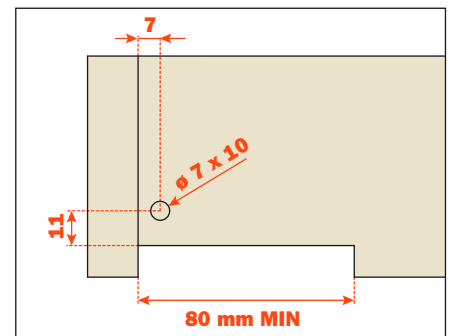
### REAR HOOK



### REAR NOTCH



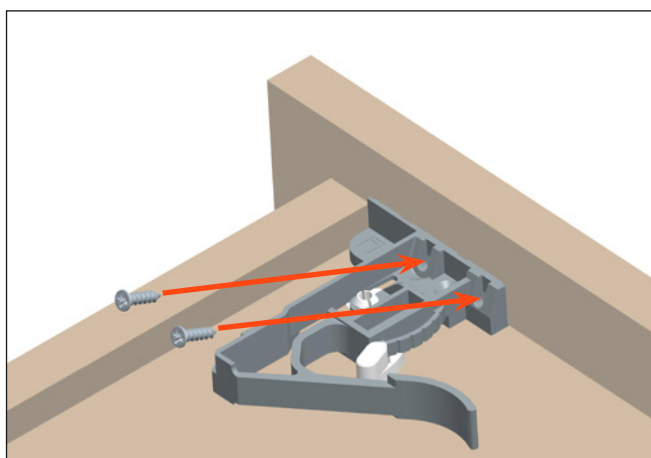
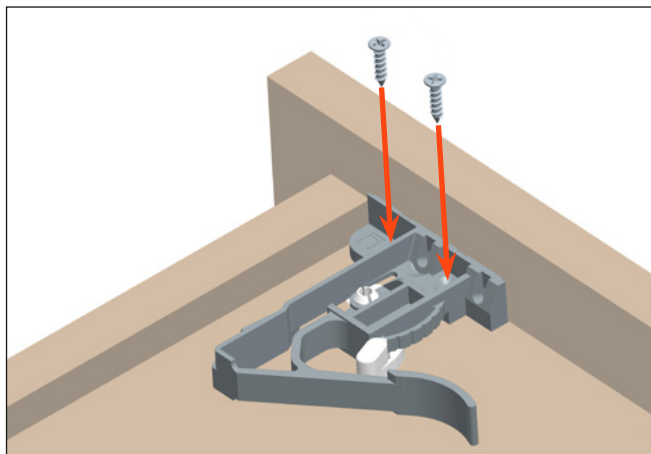
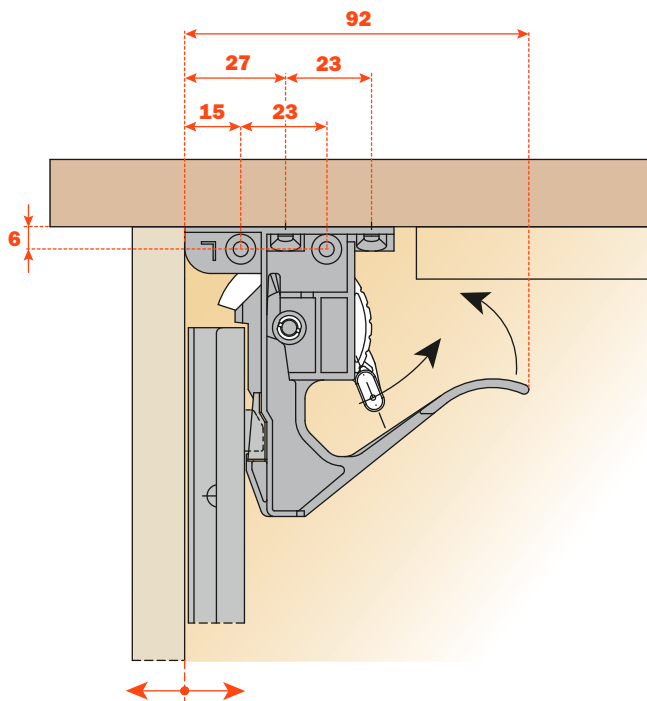
### REAR NOTCH with Futura Push synchroniser



Use **drilling template** for rear hook, see page 60.

## With 1 way adjustable clip - Technical information

### Fixing clip



**1071000010100**

### Right and left clip

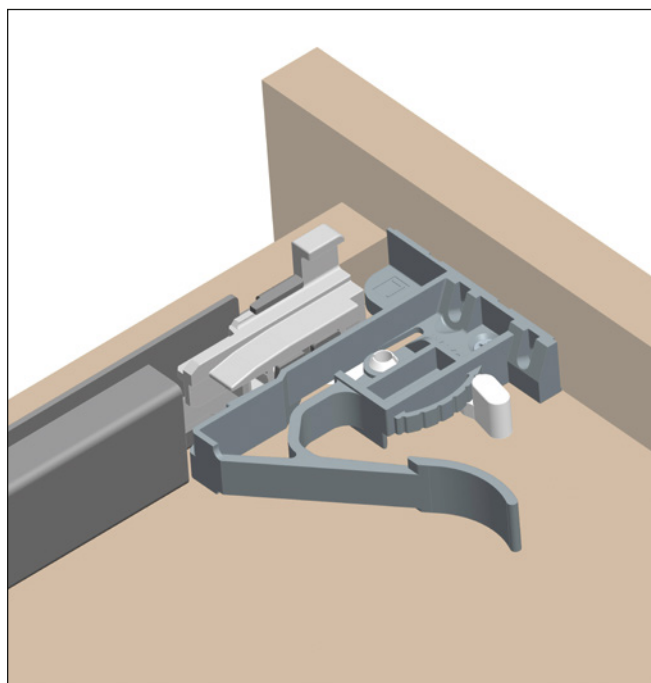
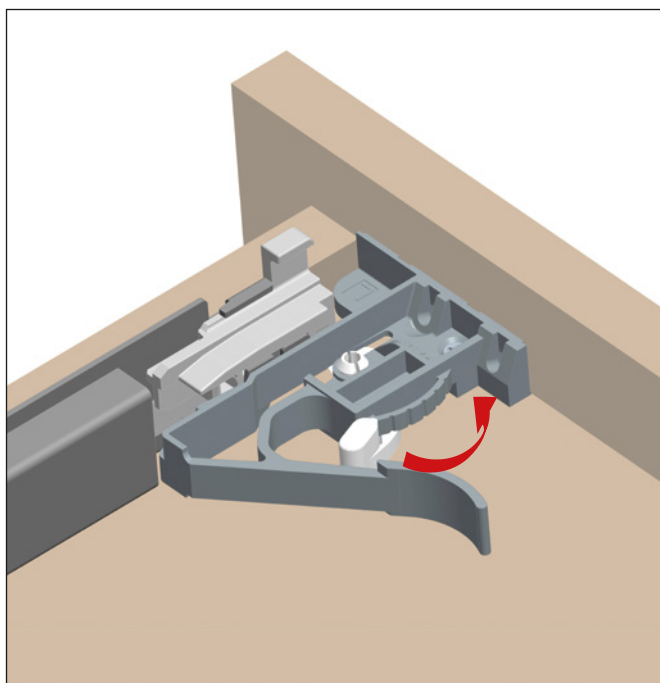
PACKING

2 BOXES = 100 right pcs. and 100 left pcs.

## Height adjustment + 2.5 mm

Turn the lever towards the front of the drawer to adjust the height.

This operation is tool free.



## Futura - with 3 way adjustable clip

The 3 way adjustment allows to:

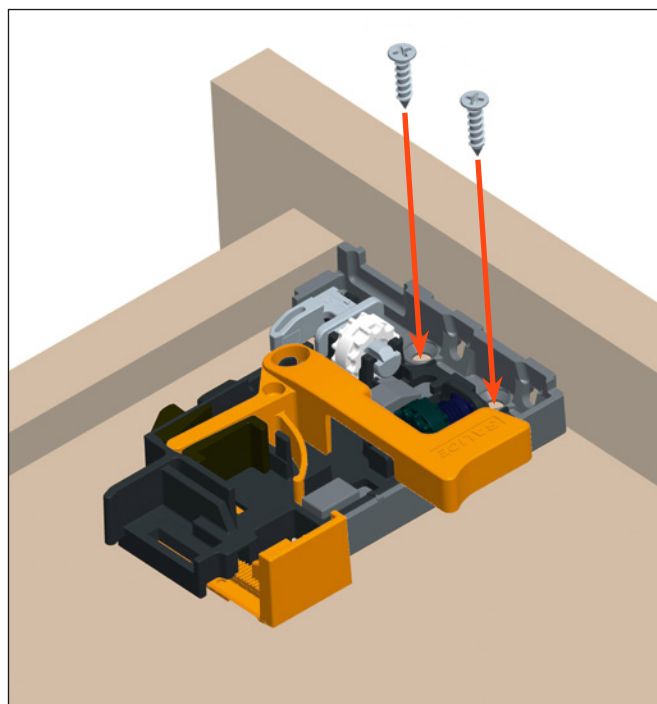
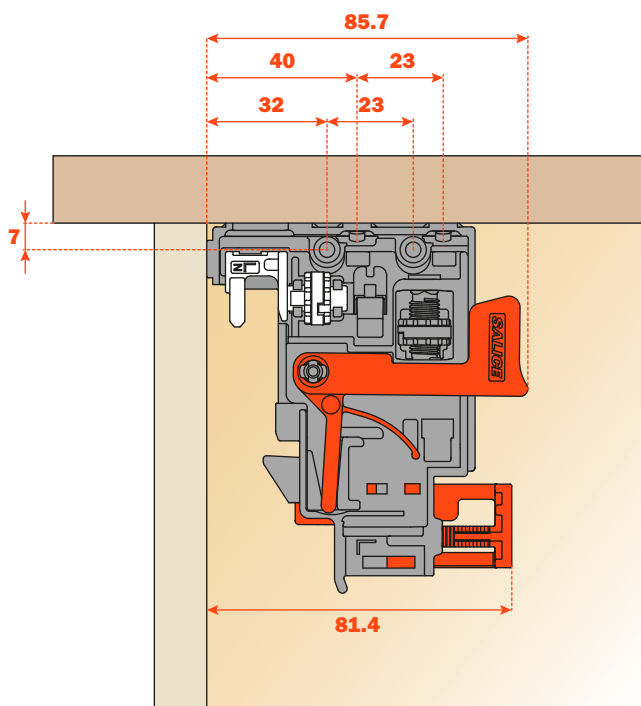
- align the drawers between them;
- align the drawers with the cabinet.

### Features and benefits of the clip:

- for all versions of full-extension runners
- tool free 3 way adjustment
- patented removal system of the drawer, from both the front and the sides of the drawer
- clip manufactured in Carbon Fibre rich material for light weight, strength and rigidity

### Clip assembly

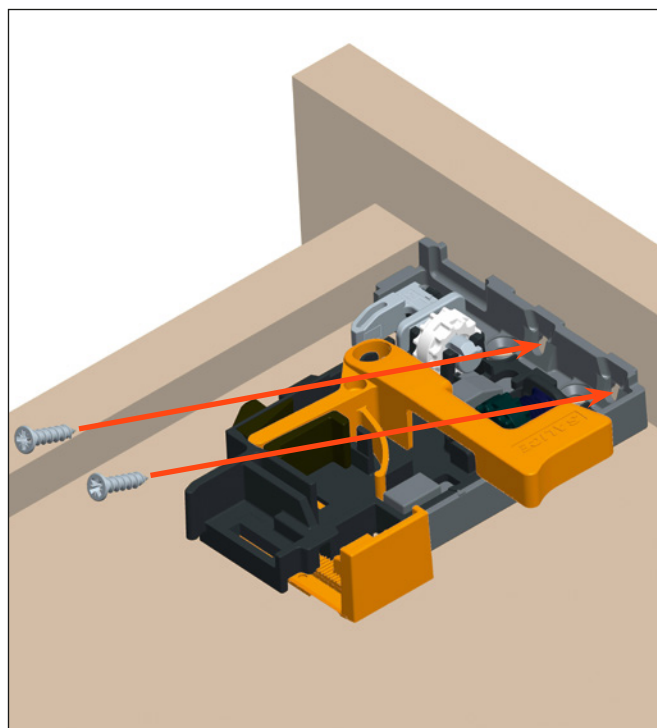
Position the left and the right clip at the front of the drawer.  
Fix with the screws on the bottom or on the front of the drawer as indicated in the images below.



**1075000010100**

### Right and left clip with integrated adjustments

PACKING  
2 BOXES = 100 right pcs. and 100 left pcs.

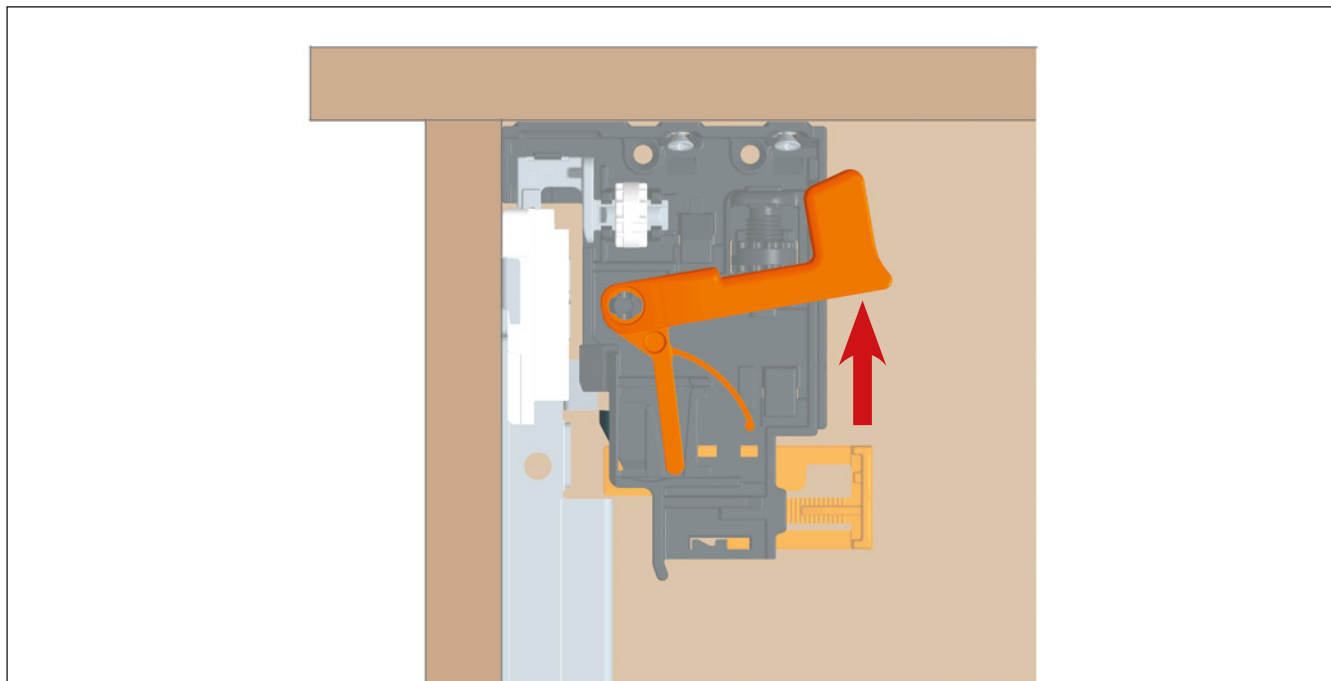


## Removal of the drawer

The drawer can be removed operating from both the front and the sides.

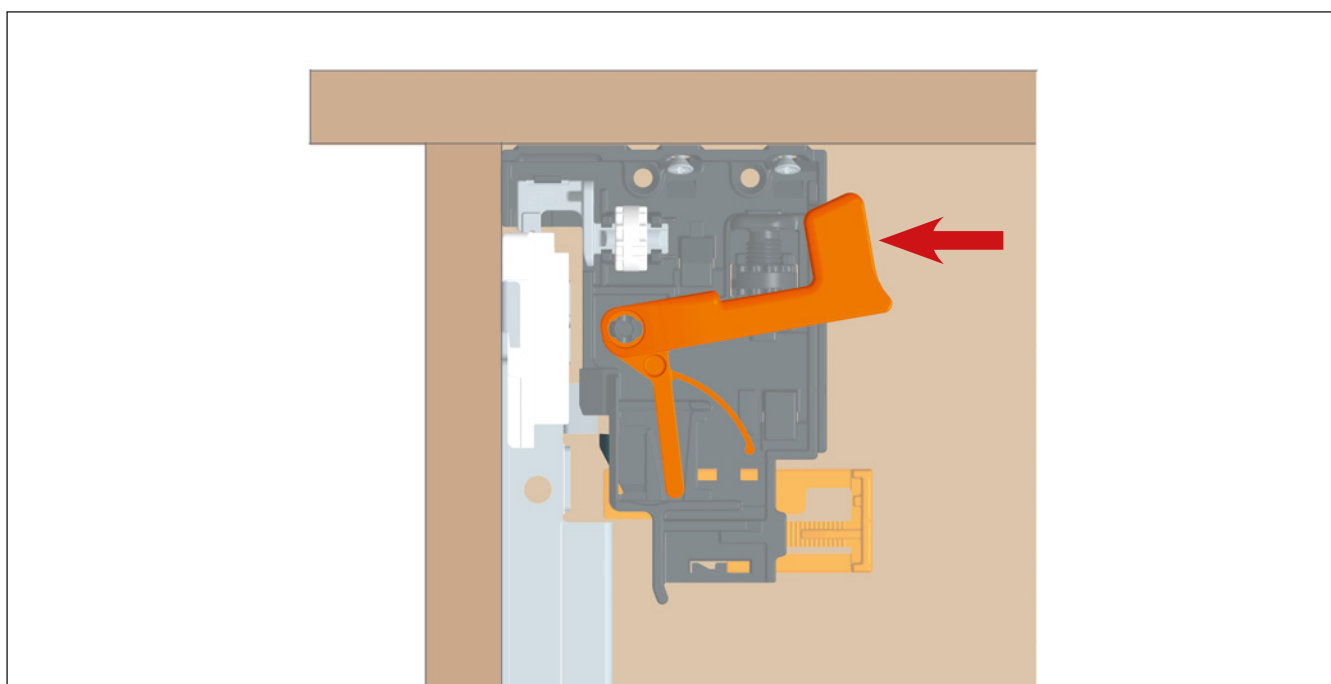
### Removal from the front:

position the hands under the front of the drawer and pull both the orange levers in the direction indicated , sliding the drawer outwards.



### Removal from the side:

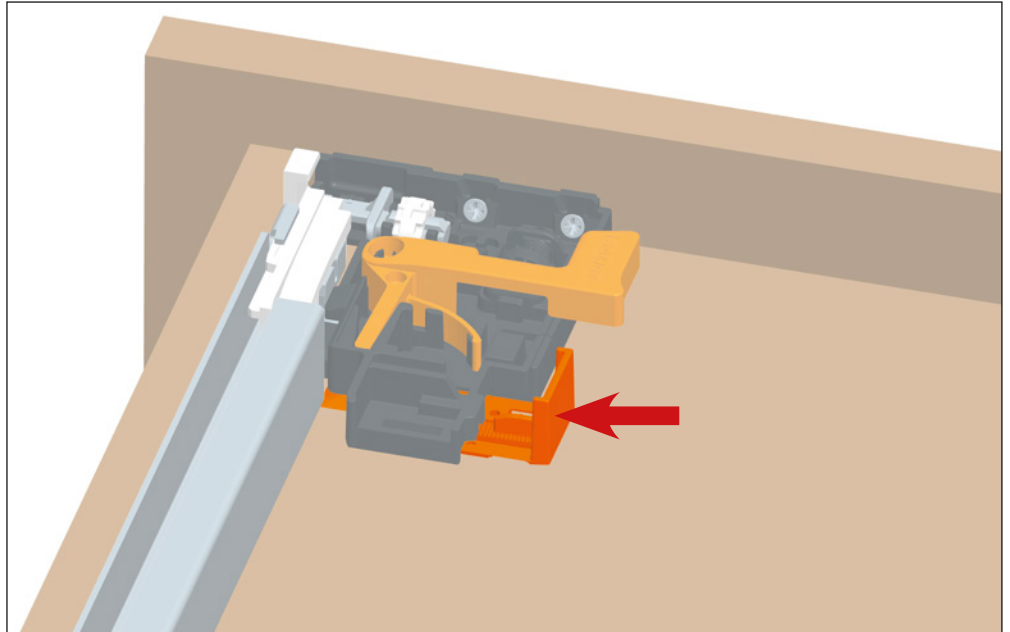
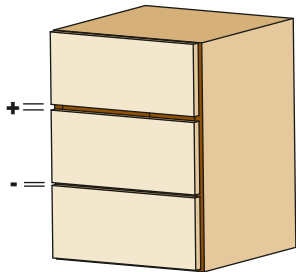
position the hands under both sides of the drawer and operate on the orange levers, as indicated in the drawing, sliding the drawer forward.



## Futura - with 3 way adjustable clip

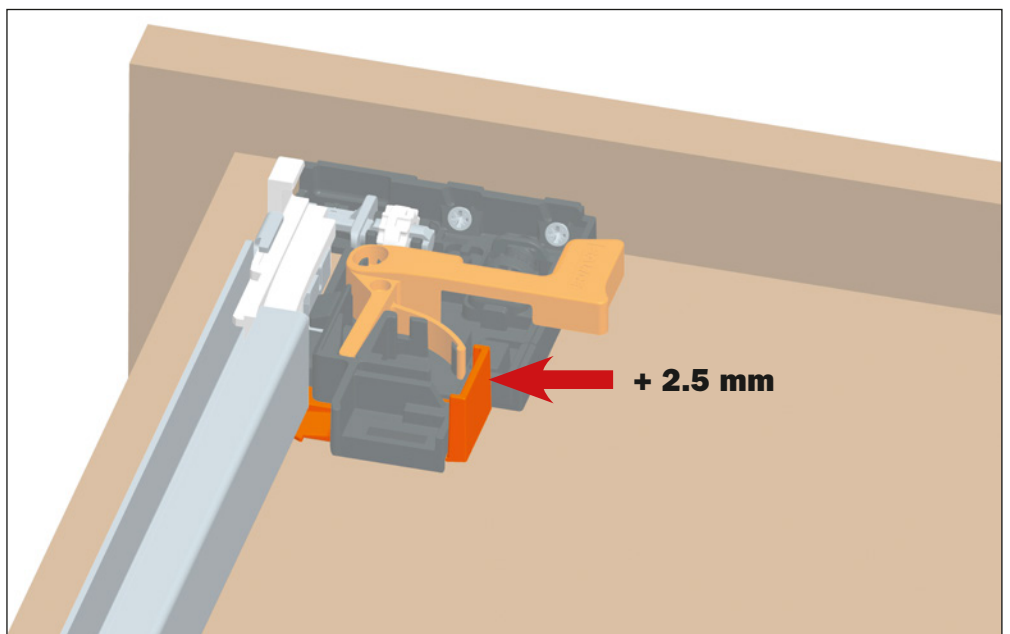
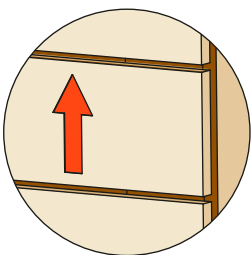
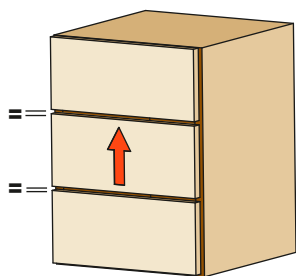
### Height adjustment + 2.5 mm

Initial position of the lever for the height adjustment.



Push the lever towards the outside of the drawer to achieve the height adjustment.

This operation is tool free.

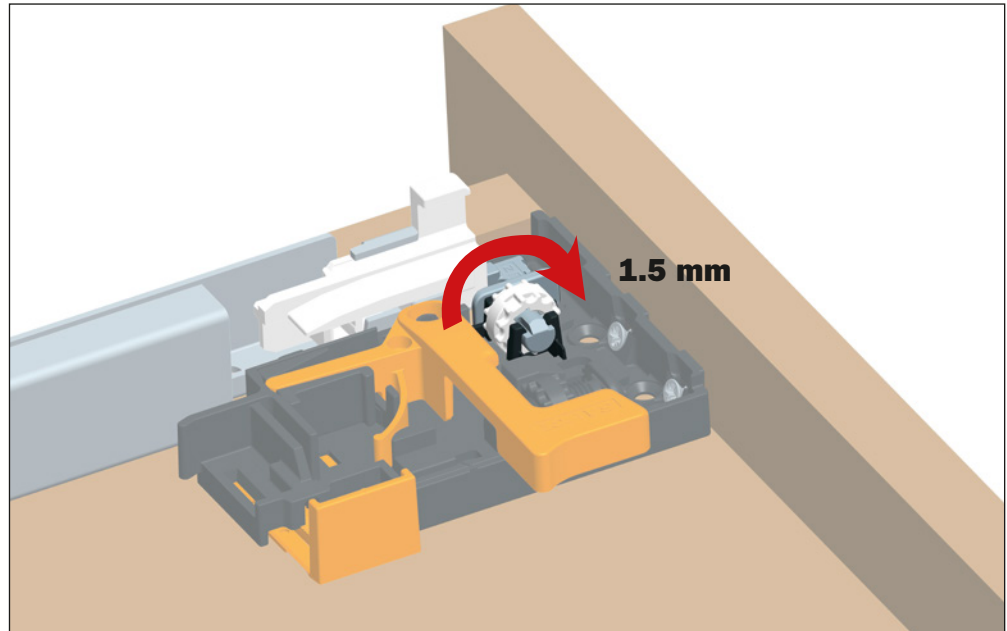
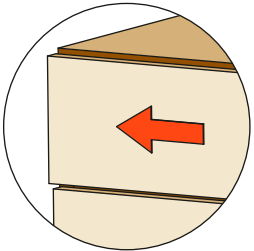
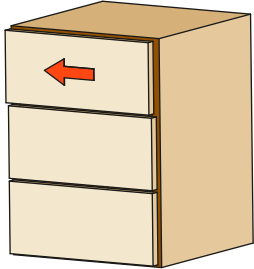




## Sideways adjustment + 1.5 mm - 1.5 mm

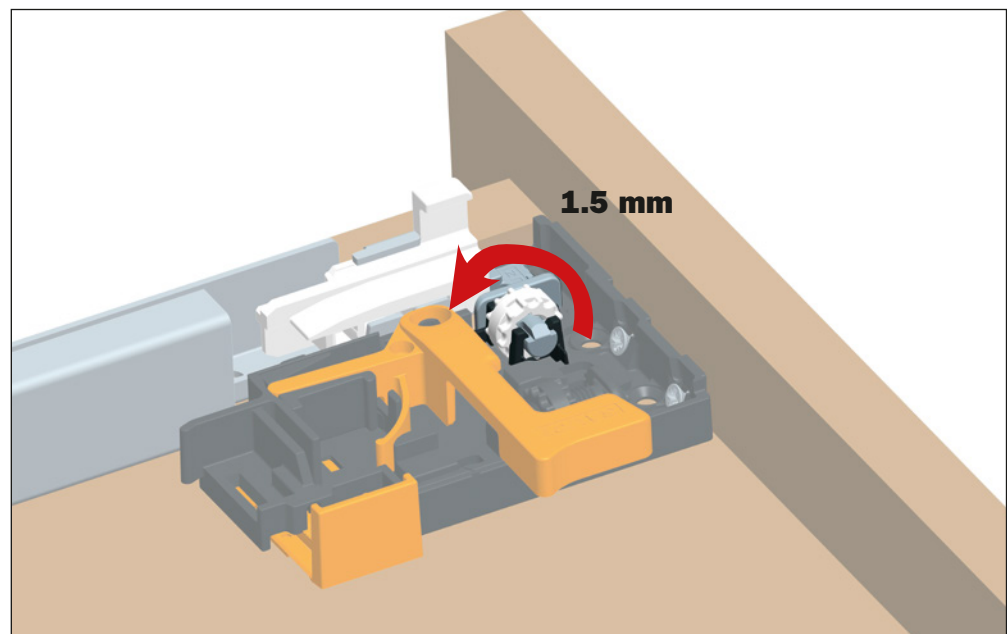
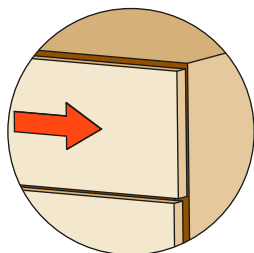
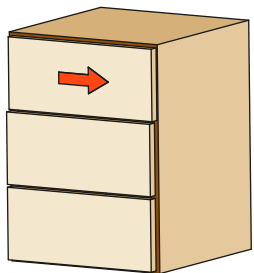
Rotate the white wheel towards the front of the drawer to adjust left.  
The clip shows the position 0.

This operation is tool free.



Rotate the white wheel towards the back of the drawer to adjust right.  
The clip shows the position 0.

This operation is tool free.



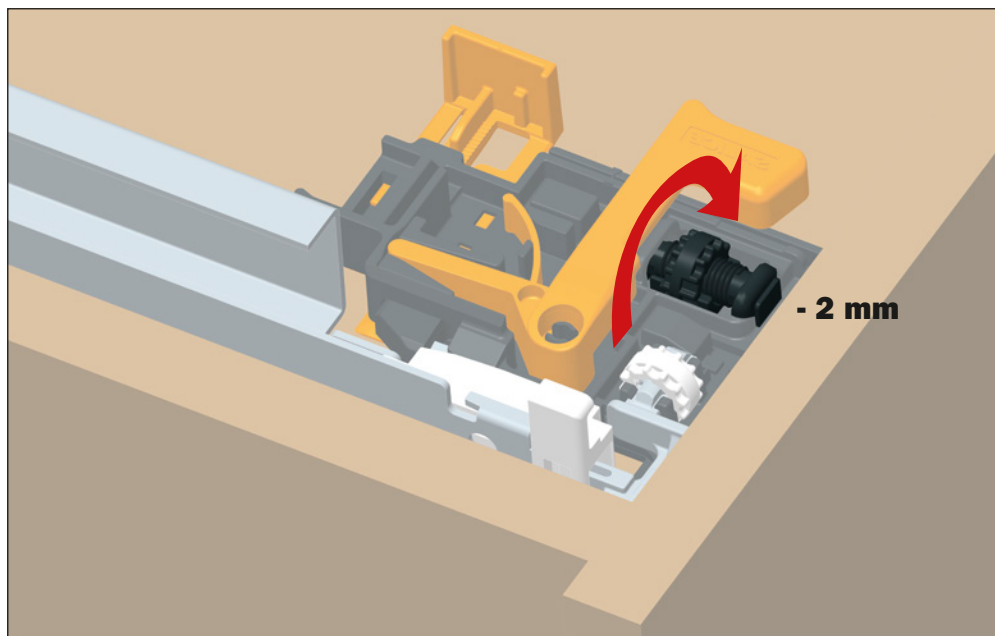
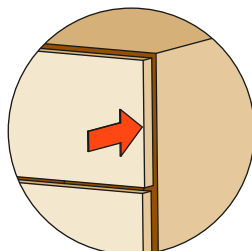
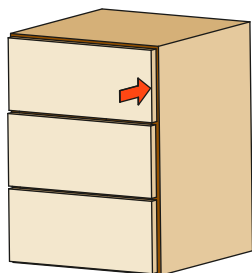
For sideways adjustment, it is recommended that the adjusters on the clips are operated in the same direction, in order to maintain the correct alignment and movement of the runners.

## Futura - with 3 way adjustable clip

### Depth adjustment + 2 mm - 2 mm

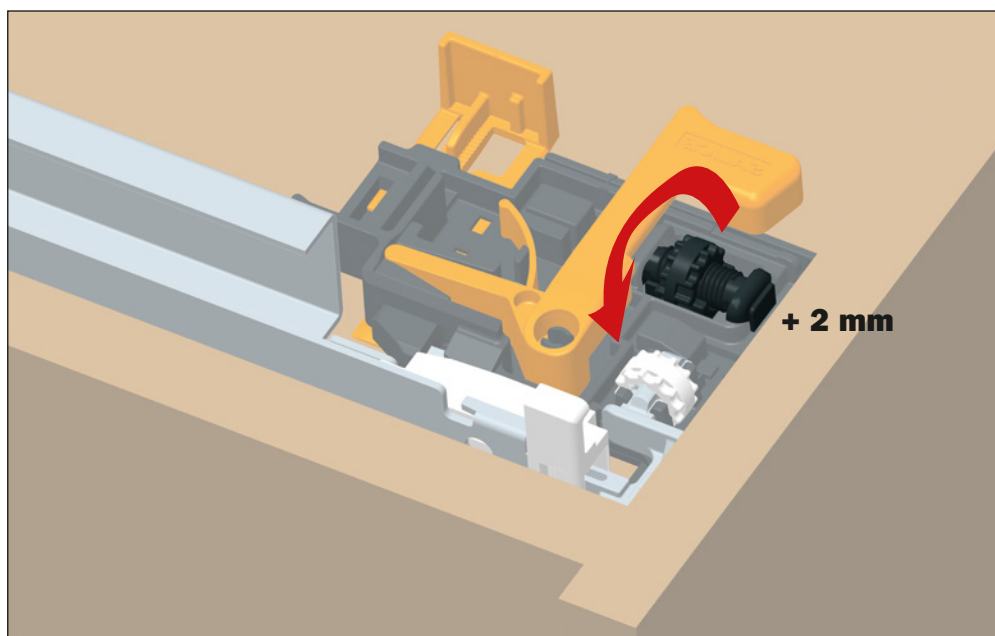
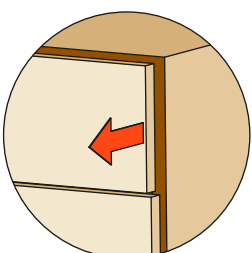
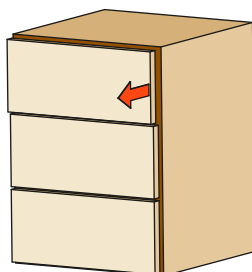
Rotate the black wheel towards the inside of the drawer to move the drawer backward.  
The clip shows the position 0.

This operation is tool free.



Rotate the black wheel towards the outside of the drawer to move the drawer forward.  
The clip shows the position 0.

This operation is tool free.



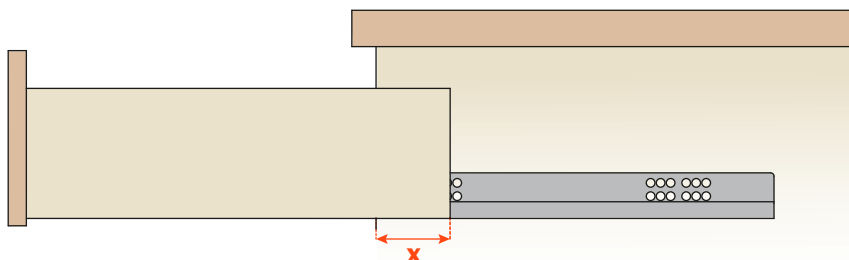
# Technical information

## Part-extension

Runner length (nominal size)

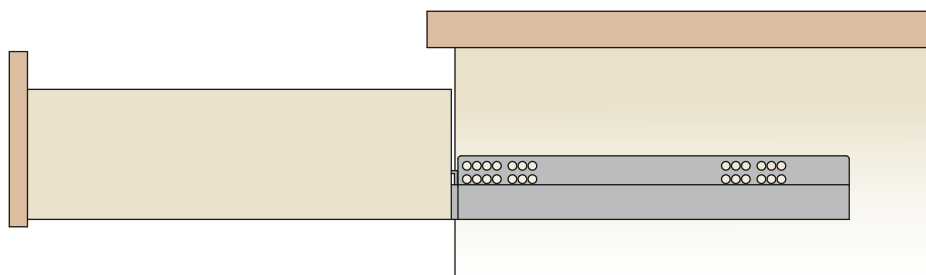
- from 250 to 470 mm → x = 89 mm

- from 500 to 600 mm → x = 119 mm



## Full-extension

Drawer length = extension



## Part number composition - Runners

**Example:**

	10	XXX	XX	XXX	2	0	0
BASIC PART NUMBER	ARTICLE (ex. 612)		ARTICLE VERSIONS: 00 = With self-closing 77 = With Push 50 = With Smove		PACKING: 0 = Industrial		
					FIXING ON CABINET SIDE: 0 = To be screw fixed		
						RUNNER LENGTH (in mm)	

## Packing

### Clip version

**SINGLE PACKING**

2 BOXES = 20 right pcs. and 20 left pcs.

**INDUSTRIAL PACKING**

PALLET = see the table

PART-EXTENSION		
ARTICLE	LENGTH	PALLET
<b>61500 SELF</b>	from 250 to 600	500 prs
<b>61577 PUSH</b>	from 250 to 400	400 prs
<b>61577 PUSH</b>	from 450 to 600	320 prs
<b>61550 SMOVE</b>	from 250 to 400	400 prs
<b>61550 SMOVE</b>	from 450 to 600	320 prs

FULL EXTENSION		
ARTICLE	LENGTH	PALLET
<b>65500 SELF</b>	from 250 to 400	300 prs
<b>65500 SELF</b>	from 450 to 600	280 prs
<b>65577 PUSH</b>	from 250 to 350	300 prs
<b>65577 PUSH</b>	from 400 to 600	280 prs
<b>65550 SMOVE</b>	from 250 to 400	300 prs
<b>65550 SMOVE</b>	from 450 to 600	280 prs

**PAIRS PACKING**

See the table

FULL EXTENSION			
ARTICLE	LENGTH	BOX	PALLET
<b>65577 PUSH</b>	from 250 to 600	6 prs	240 prs
<b>65550 SMOVE</b>	from 250 to 600	6 prs	240 prs

### Pin version

**SINGLE PACKING**

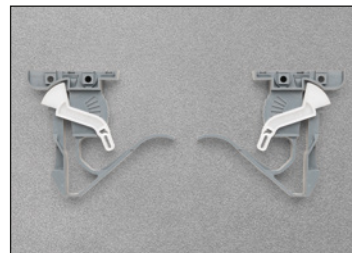
2 BOXES = 20 right pcs. and 20 left pcs.

**INDUSTRIAL PACKING**

PALLET = see the table

PART-EXTENSION		
ARTICLE	LENGTH	PALLET
<b>61200 SELF</b>	from 250 to 400	400 prs
<b>61200 SELF</b>	from 450 to 600	320 prs
<b>61277 PUSH</b>	from 250 to 400	400 prs
<b>61277 PUSH</b>	from 450 to 600	320 prs
<b>61250 SMOVE</b>	from 250 to 400	400 prs
<b>61250 SMOVE</b>	from 450 to 600	320 prs

FULL EXTENSION		
ARTICLE	LENGTH	PALLET
<b>65200 SELF</b>	from 250 to 350	300 prs
<b>65200 SELF</b>	from 400 to 600	280 prs
<b>65277 PUSH</b>	from 250 to 350	300 prs
<b>65277 PUSH</b>	from 400 to 600	280 prs
<b>65250 SMOVE</b>	from 250 to 350	300 prs
<b>65250 SMOVE</b>	from 400 to 600	280 prs

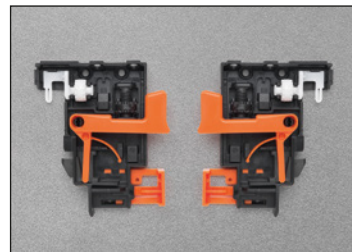


**1071000010100**

**Futura with 1 way adjustable clip**

**Right and left clip**

PACKING  
2 BOXES = 100 right pcs.  
and 100 left pcs.



**1075000010100**

**Futura with 3 way adjustable clip**

**Right and left clip with integrated adjustments**

PACKING  
2 BOXES = 100 right pcs.  
and 100 left pcs.

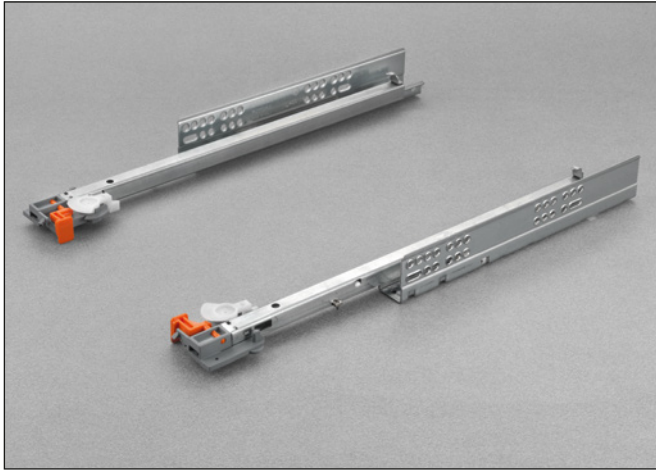


**Futura pin fix version**



## **Futura Self-closing**

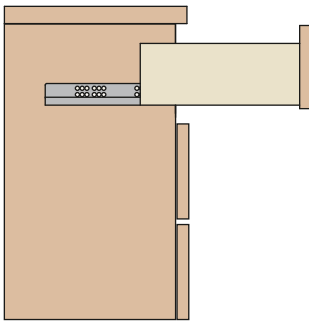
**Futura Self-closing 61200 - Concealed runner**



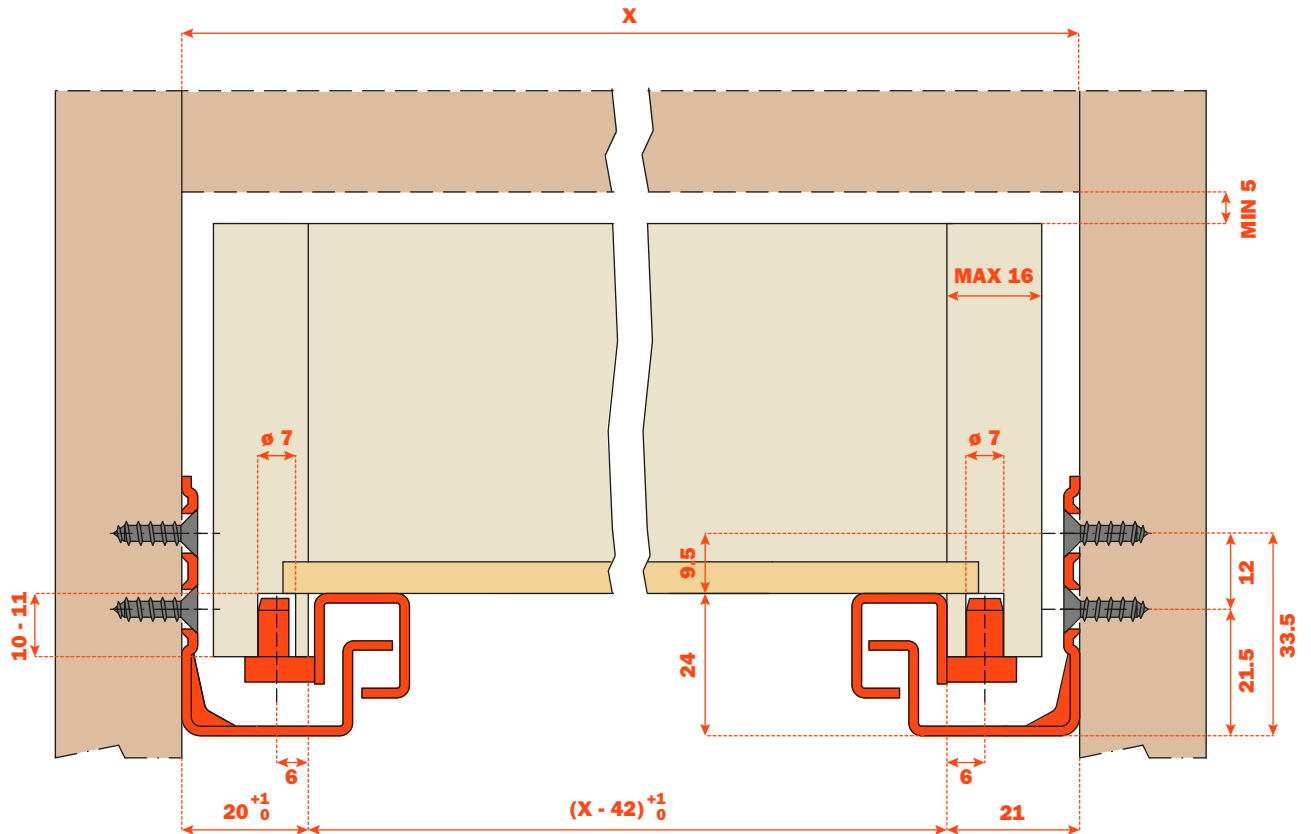
**Part-extension runner fixed to the drawer by pin-fix clip.**

**Product features**

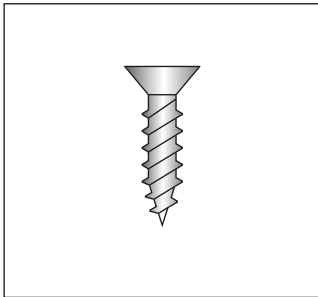
- Dynamic load capacity 294 N (30 Kg).
- Self-closing device on drawer.
- Safety system that prevents the drawers from turning over.
- Drawer height adjustment +3 mm.
- The drawer is maintained parallel with the cabinet side during opening.
- Drawer fixing without screws.
- Compatible with ART. 65200.
- Finish: bright zinc-plated.



**Dimensions**



## Part number



To be screw fixed  
Screw TSP  $\varnothing$  3.5 mm

BASIC PART NUMBER	RUNNER LENGTH (LN)	=	MIN. DEPTH OF THE CABINET (PM)
<b>1061200250200</b>	250		250
<b>1061200270200</b>	270		270
<b>1061200300200</b>	300		300
<b>1061200350200</b>	350		350
<b>1061200400200</b>	400		400
<b>1061200450200</b>	450		450
<b>1061200470200</b>	470		470
<b>1061200500200</b>	500		500
<b>1061200550200</b>	550		550
<b>1061200600200</b>	600		600

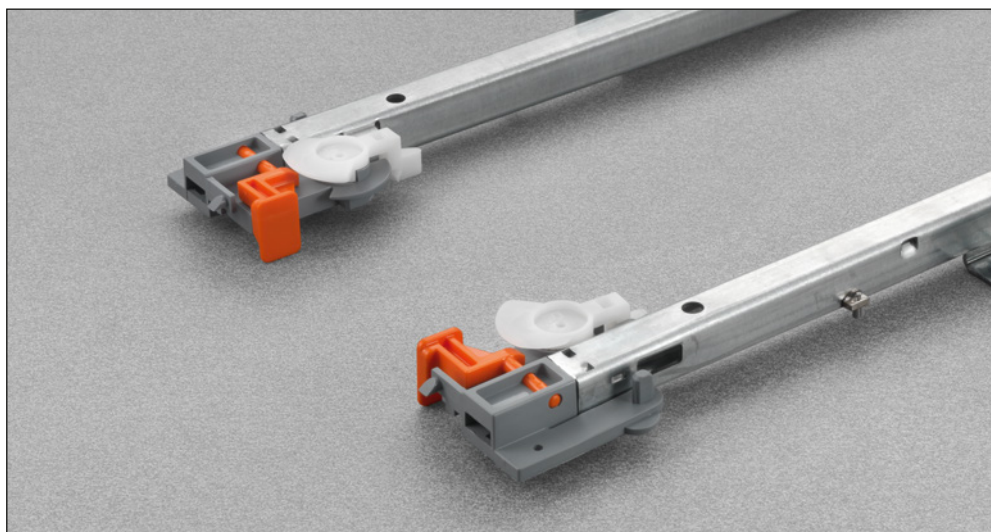
## Fixing the drawer onto the runners

The flexibility of the system enables the locating pin to be engaged simply by placing the drawer onto the runners and closing it.



Detail of the pin-fix clip premounted on the runner, with:

- Tool free height adjustment;
- Safety device to prevent the drawers from turning over;
- Locating pin.



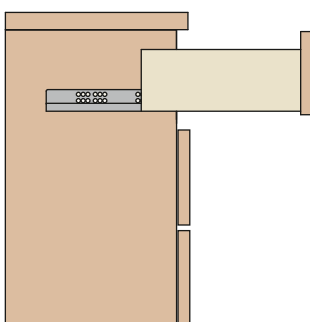
**Futura Self-closing 61500 - Concealed runner**



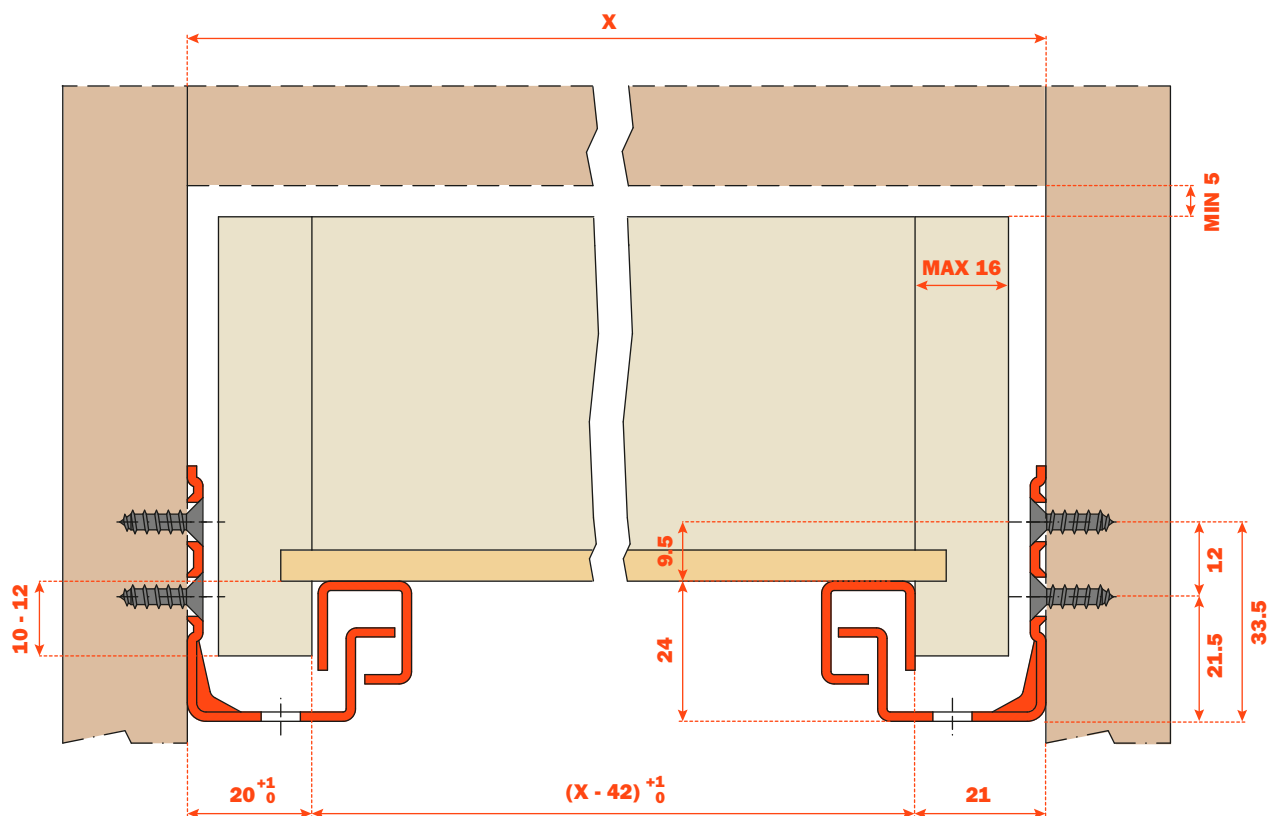
Part-extension runner fixed to the drawer by clip.

**Product features**

- Dynamic load capacity 294 N (30 Kg).
- Self-closing device on drawer.
- Safety system that prevents the drawers from turning over.
- Drawer height adjustment +2.5 mm.
- The drawer is maintained parallel with the cabinet side during opening.
- Compatible with ART. 65500.
- Finish: bright zinc-plated.

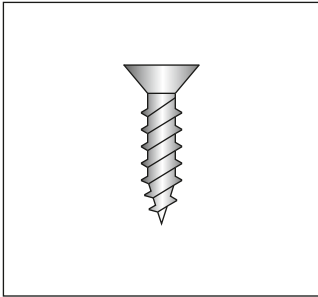


**Dimensions**





## Part number



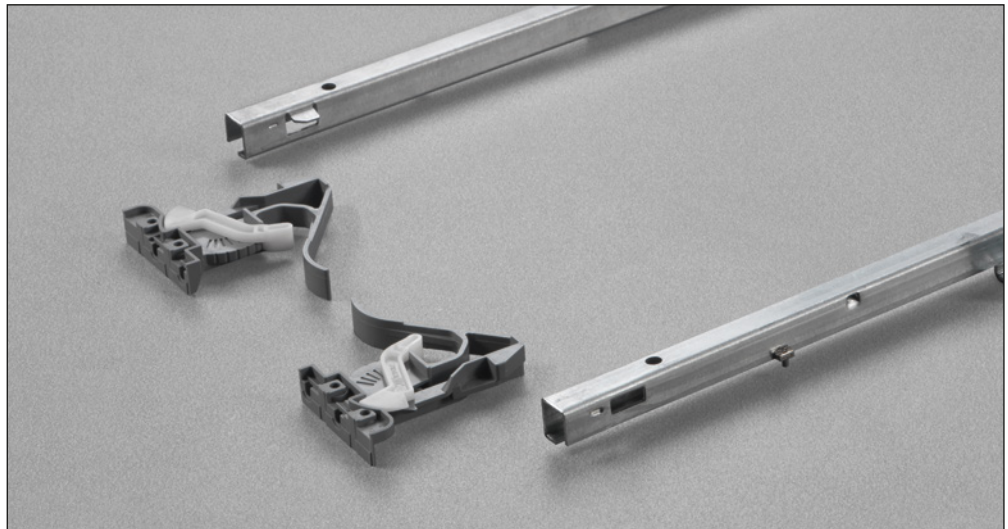
To be screw fixed  
Screw TSP  $\varnothing$  3.5 mm

BASIC PART NUMBER	RUNNER LENGTH (LN)	=	MIN. DEPTH OF THE CABINET (PM)
<b>1061500250200</b>	250		250
<b>1061500270200</b>	270		270
<b>1061500300200</b>	300		300
<b>1061500350200</b>	350		350
<b>1061500400200</b>	400		400
<b>1061500450200</b>	450		450
<b>1061500470200</b>	470		470
<b>1061500500200</b>	500		500
<b>1061500550200</b>	550		550
<b>1061500600200</b>	600		600

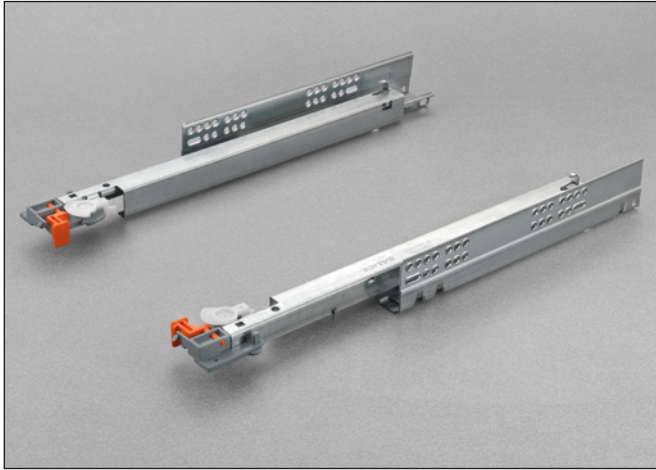
## Fixing the drawer onto the runners

### Clip 1071000010100

Detail of the clip with tool free  
integrated height adjustment.



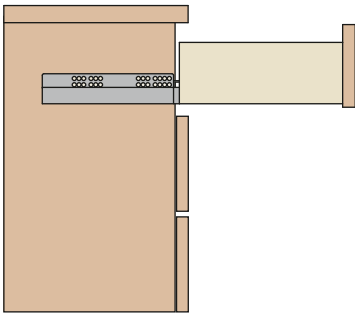
**Futura Self-closing 65200 - Concealed runner**



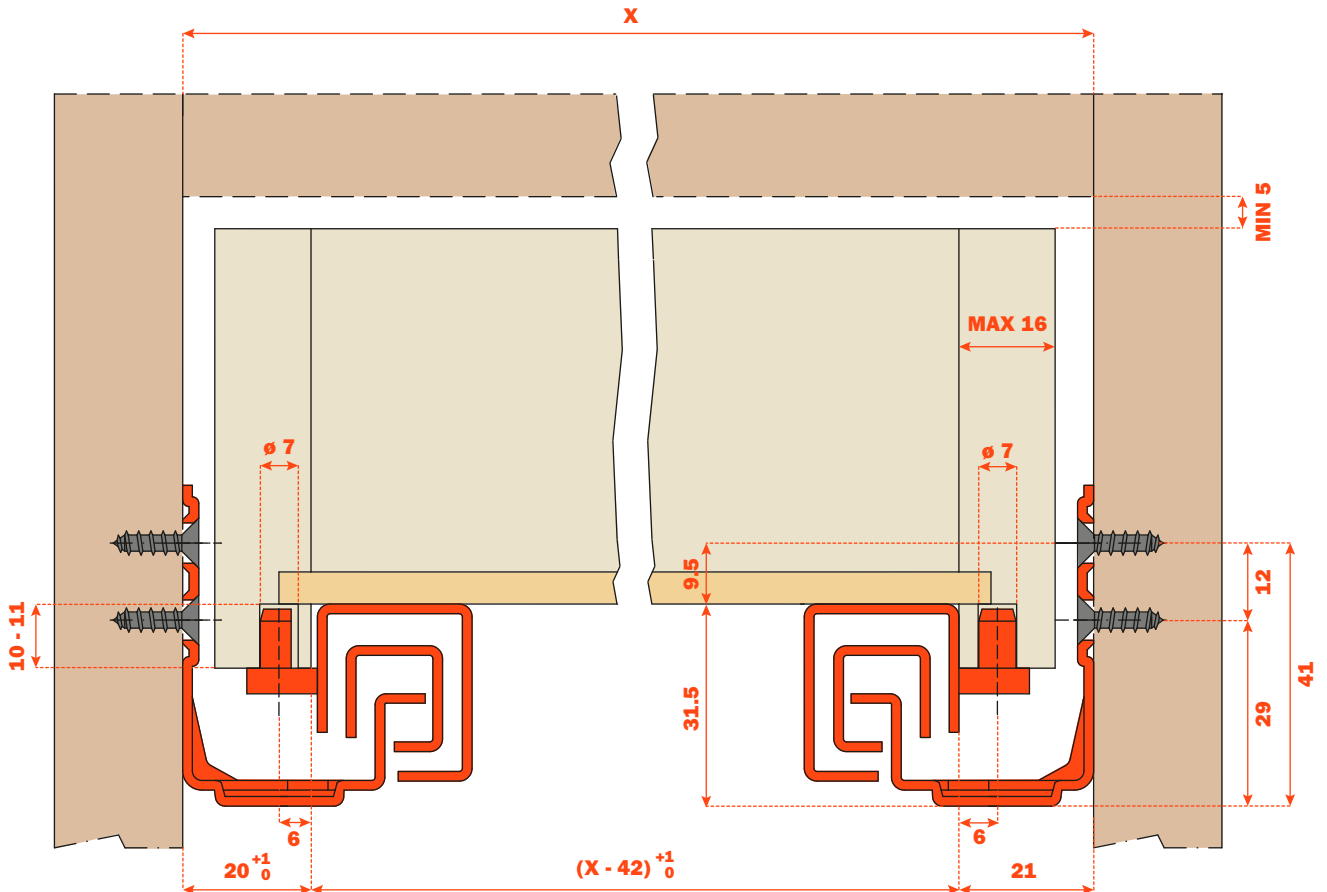
**Full-extension runner fixed to the drawer by pin-fix clip.**

**Product features**

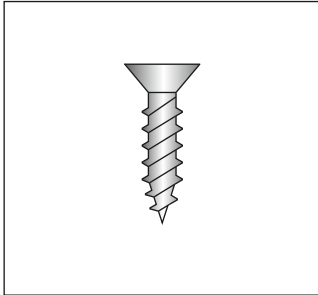
- Dynamic load capacity 294 N (30 Kg).
- Self-closing device on drawer.
- Safety system that prevents the drawers from turning over.
- Drawer height adjustment +3 mm.
- The drawer is maintained parallel with the cabinet side during opening.
- Drawer fixing without screws.
- Compatible with ART. 61200.
- Finish: bright zinc-plated.



**Dimensions**



## Part number



To be screw fixed  
Screw TSP  $\varnothing$  3.5 mm

BASIC PART NUMBER	RUNNER LENGTH (LN)	MIN. DEPTH OF THE CABINET (PM)
<b>1065200250200</b>	250	260
<b>1065200270200</b>	270	280
<b>1065200300200</b>	300	310
<b>1065200350200</b>	350	360
<b>1065200400200</b>	400	410
<b>1065200450200</b>	450	460
<b>1065200470200</b>	470	480
<b>1065200500200</b>	500	510
<b>1065200550200</b>	550	555
<b>1065200600200</b>	600	605

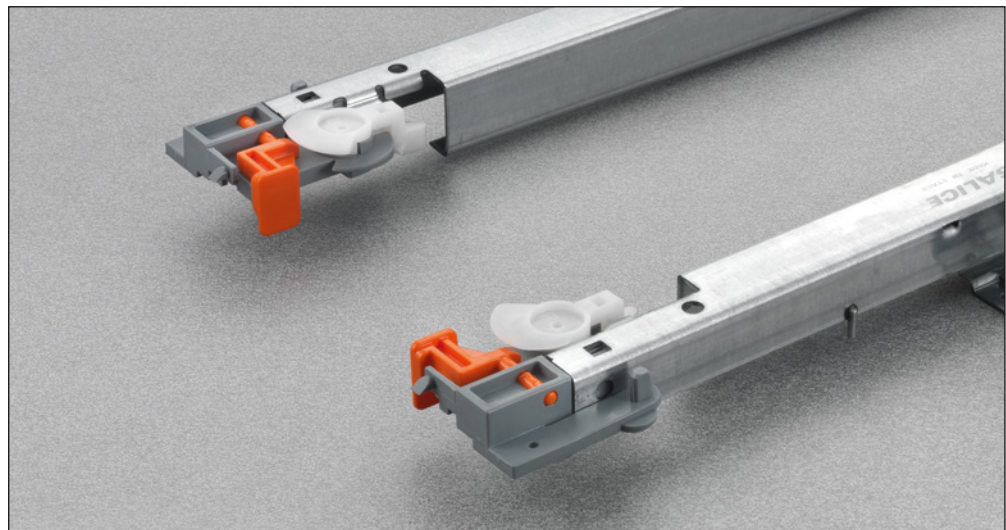
## Fixing the drawer onto the runners

The flexibility of the system enables the locating pin to be engaged simply by placing the drawer onto the runners and closing it.



Detail of the pin-fix clip premounted on the runner, with:

- Tool free height adjustment;
- Safety device to prevent the drawers from turning over;
- Locating pin.



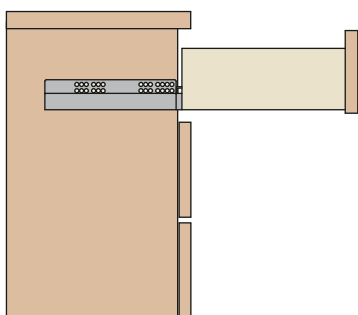
**Futura Self-closing 65500 - Concealed runner**



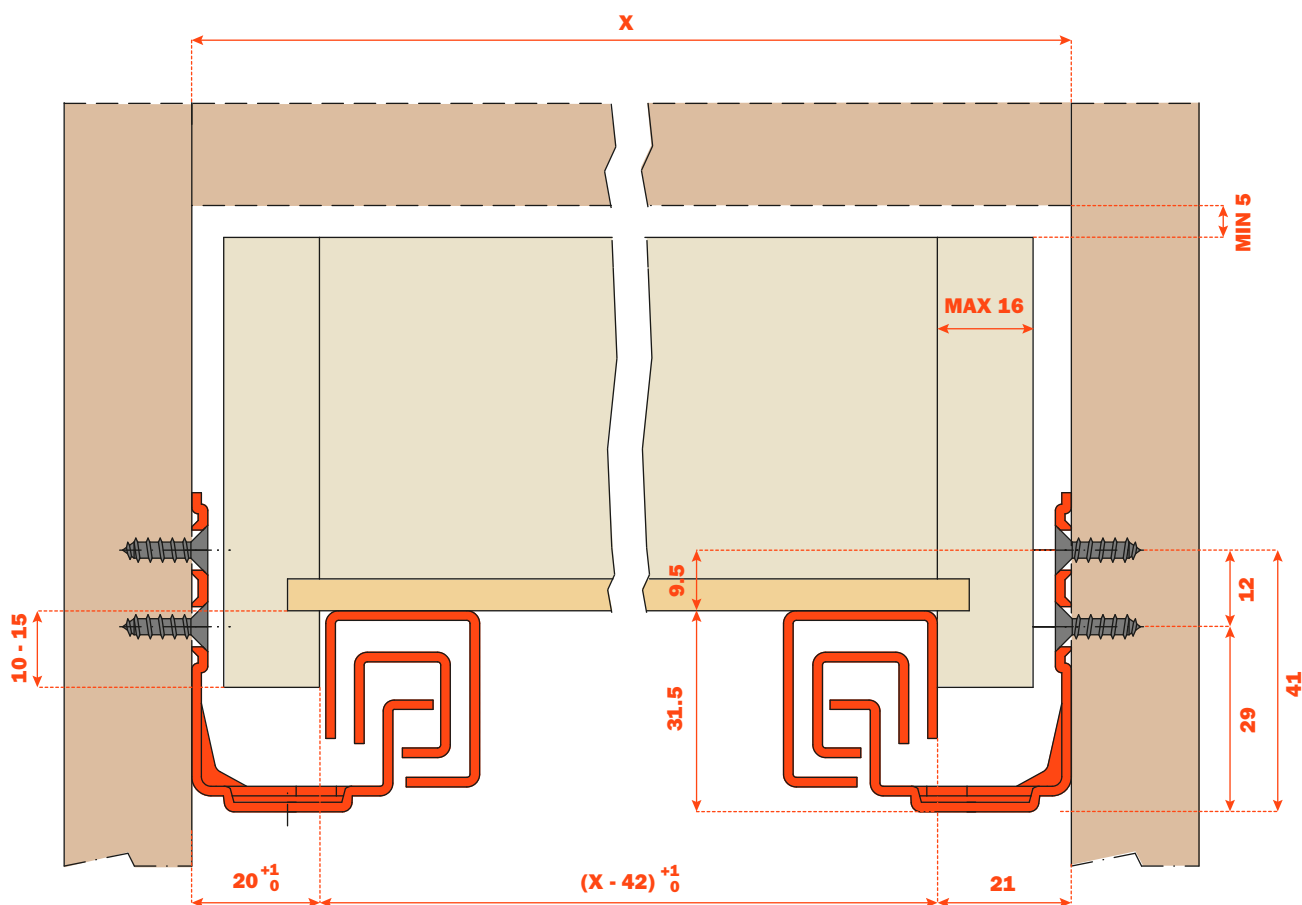
**Full-extension runner fixed to the drawer by clip.**

**Product features**

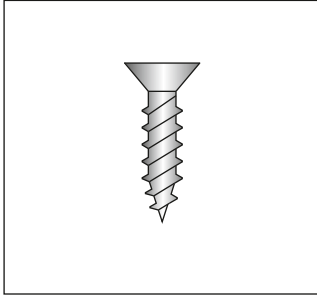
- Dynamic load capacity 294 N (30 Kg).
- Self-closing device on drawer.
- Safety system that prevents the drawers from turning over.
- Drawer height adjustment +2.5 mm with clip 10 710.
- Drawer height adjustment +2.5, side adjustment  $\pm 1.5$  mm, depth adjustment  $\pm 2$  mm with clip 10 750.
- The drawer is maintained parallel with the cabinet side during opening.
- Compatible with ART. 61500.
- Finish: bright zinc-plated.



**Dimensions**



## Part number



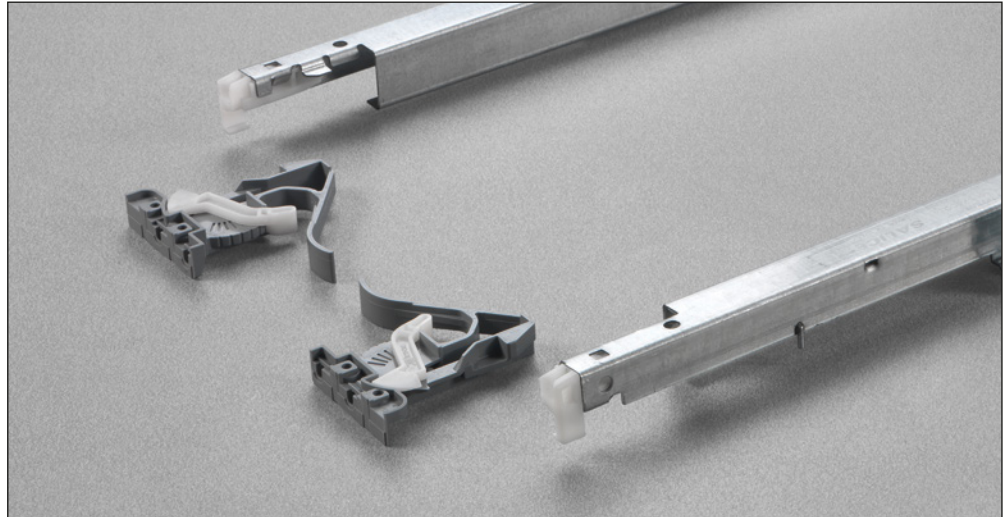
To be screw fixed  
Screw TSP  $\varnothing$  3.5 mm

BASIC PART NUMBER	RUNNER LENGTH (LN)	MIN. DEPTH OF THE CABINET (PM)
<b>1065500250200</b>	250	260
<b>1065500270200</b>	270	280
<b>1065500300200</b>	300	310
<b>1065500350200</b>	350	360
<b>1065500400200</b>	400	410
<b>1065500450200</b>	450	460
<b>1065500470200</b>	470	480
<b>1065500500200</b>	500	510
<b>1065500550200</b>	550	555
<b>1065500600200</b>	600	605

## Fixing the drawer onto the runners

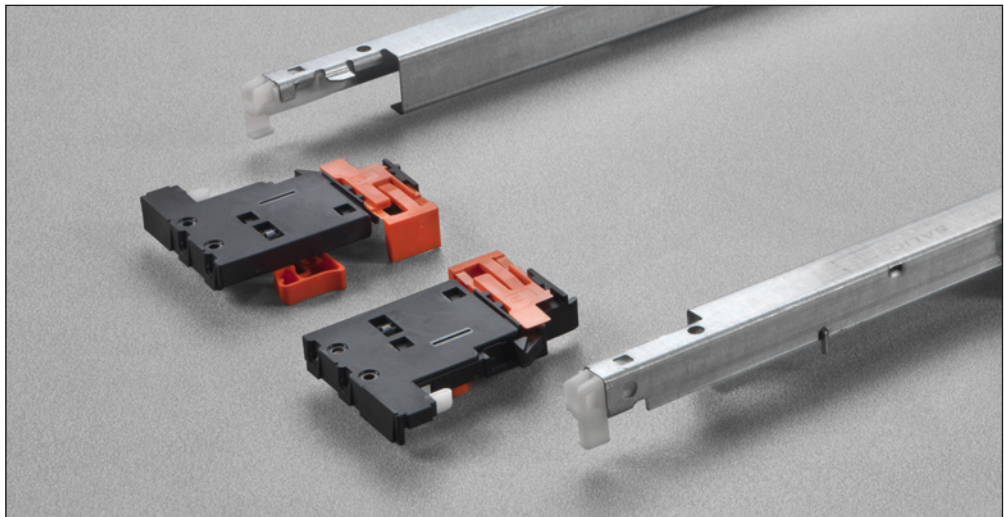
### Clip 1071000010100

Detail of the clip with tool free integrated height adjustment.



### Clip 1075000010100

Detail of the tool free integrated 3-way adjustment clip (height, depth and side adjustment).

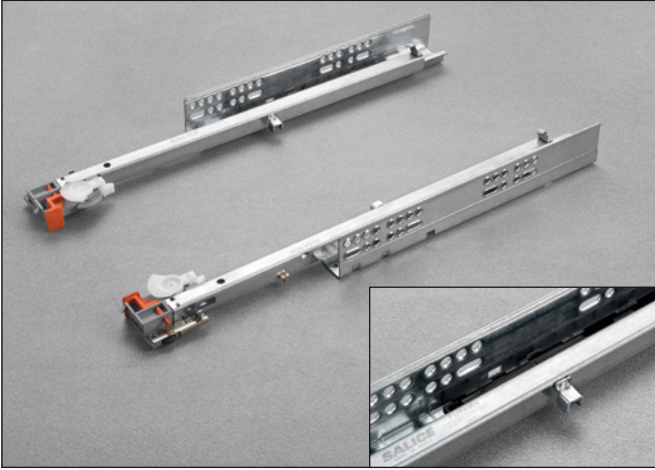






## Futura Push

**Futura Push 61277 - Concealed runner**



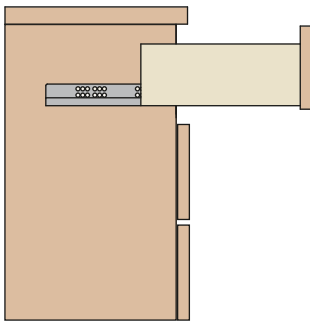
Part-extension runner fixed to the drawer by pin-fix clip.

**Push:** the new opening system for handle-less drawers, is fully integrated in the runner.

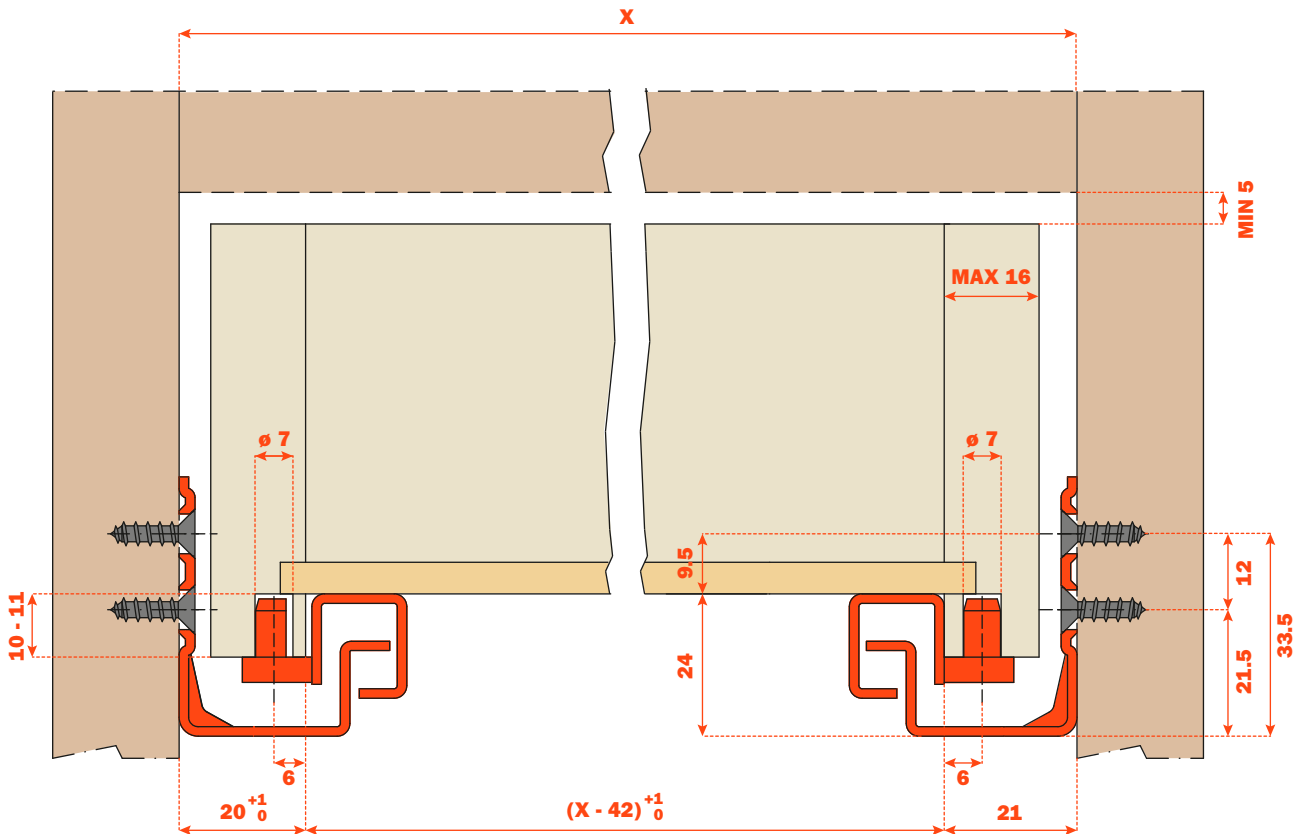
A slight pressure of the drawer frontal is sufficient for the drawer to self-open.

**Product features**

- Dynamic load capacity N 294 (Kg 30).
- Push opening system.
- Safety system that prevents the drawer from overturning.
- Drawer height adjustment +3 mm.
- Drawer depth adjustment  $\pm 2$  mm.
- The drawer is maintained parallel with the cabinet side during opening.
- Drawer fixing without screws.
- The drawer is held in the closed position.
- Synchronisation system for the opening of large drawers (optional) available for all runner lengths.
- Compatible with ART. 65277.
- Finish: bright zinc-plated.

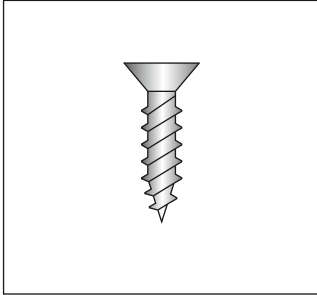


**Dimensions**





## Part number

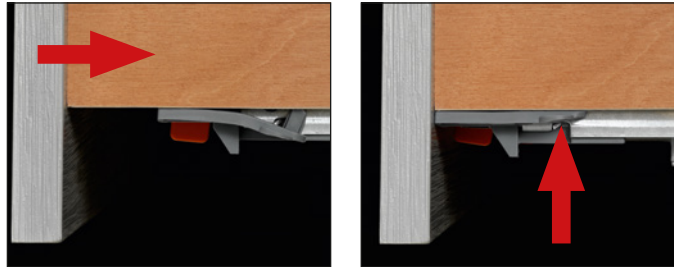


To be screw fixed  
Screw TSP  $\varnothing$  3.5 mm

BASIC PART NUMBER	RUNNER LENGTH (LN)	=	MIN. DEPTH OF THE CABINET (PM)
<b>1061277250200</b>	250		250
<b>1061277270200</b>	270		270
<b>1061277300200</b>	300		300
<b>1061277350200</b>	350		350
<b>1061277400200</b>	400		400
<b>1061277450200</b>	450		450
<b>1061277470200</b>	470		470
<b>1061277500200</b>	500		500
<b>1061277550200</b>	550		550
<b>1061277600200</b>	600		600

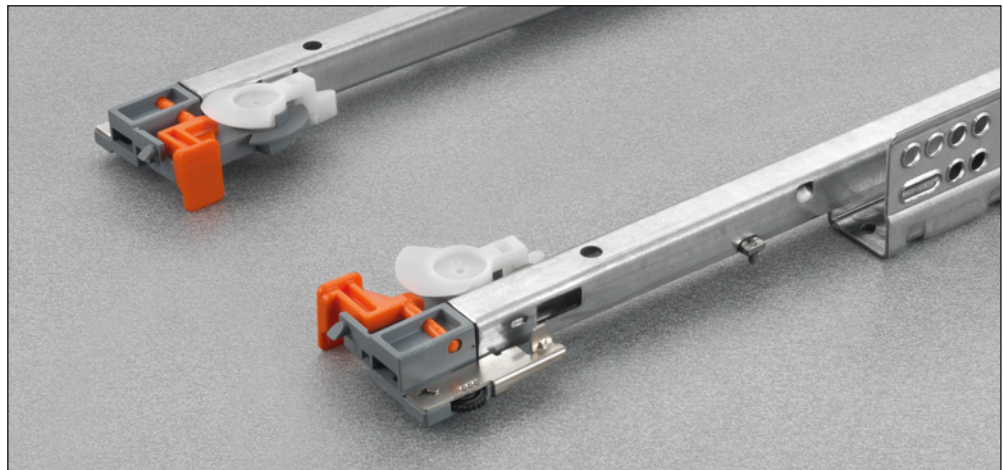
## Fixing the drawer onto the runners

The flexibility of the system enables the locating pin to be engaged simply by placing the drawer onto the runners and closing it.

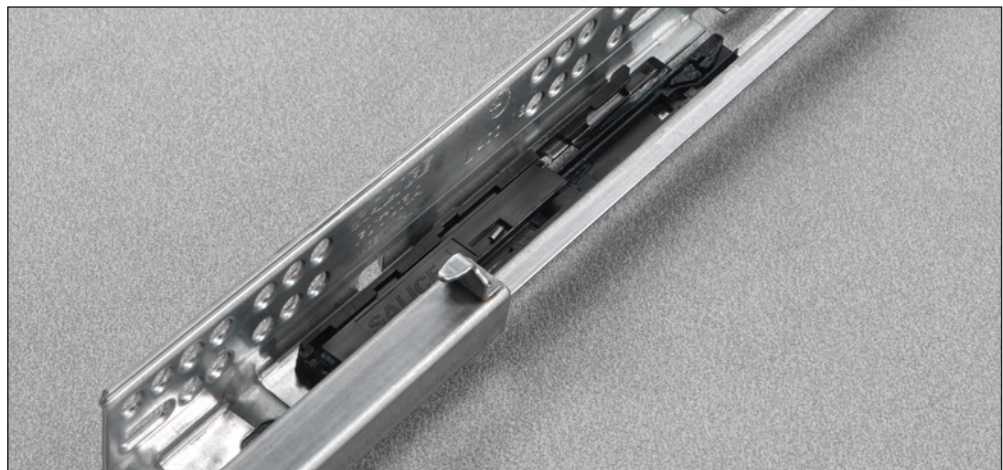


Detail of the pin-fix clip premounted on the runner, with:

- Tool free height and depth adjustment;
- Safety device to prevent the drawers from turning over;
- Locating pin.



Detail of the Push system integrated into the runner which allows the opening of handle-less drawers.



**Futura Push 61577 - Concealed runner**



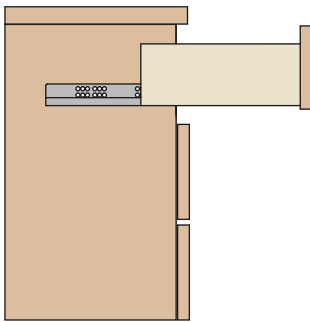
Part-extension runner fixed to the drawer by clip.

**Push:** the new opening system for handle-less drawers, is fully integrated in the runner.

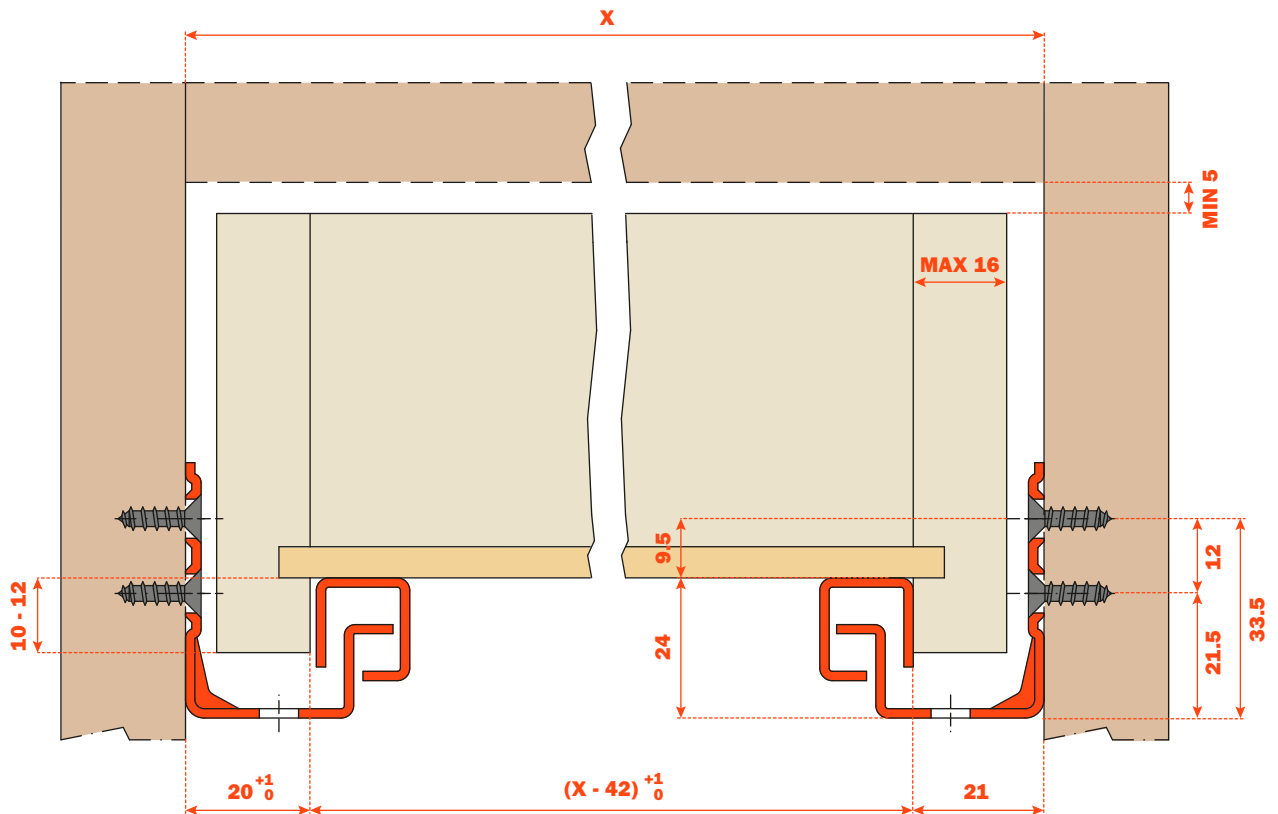
A slight pressure of the drawer frontal is sufficient for the drawer to self-open.

**Product features**

- Dynamic load capacity N 294 (Kg 30).
- With Push opening system.
- Safety system that prevents the drawer from overturning.
- Drawer height adjustment +2.5 mm.
- The drawer is maintained parallel with the cabinet side during opening.
- The drawer is held in the closed position.
- Synchronisation system for the opening of large drawers (optional) available for all runner lengths.
- Compatible with ART. 65577.
- Finish: bright zinc-plated.

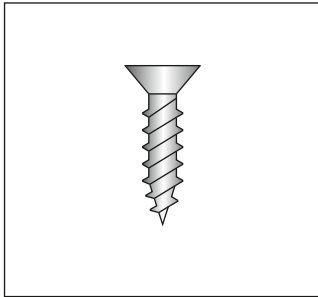


**Dimensions**





## Part number



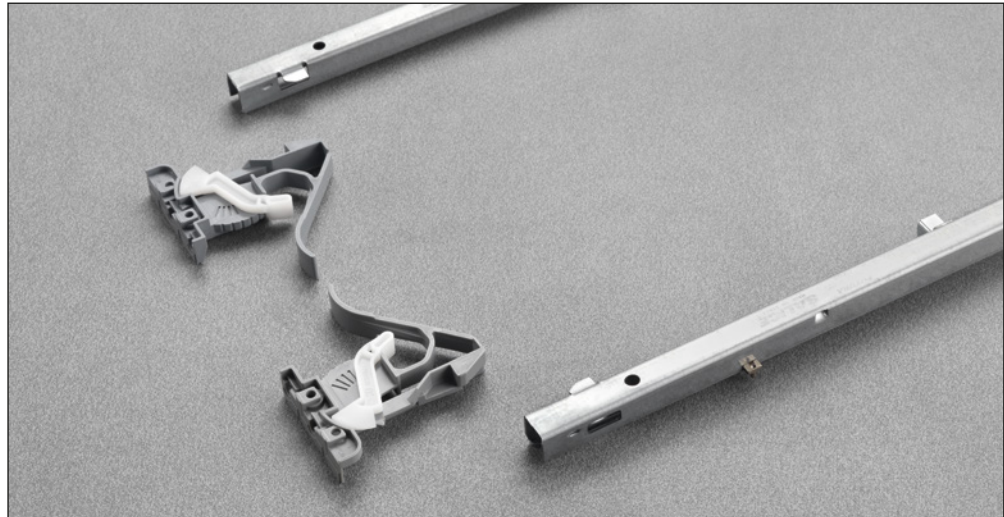
To be screw fixed  
Screw TSP  $\varnothing$  3.5 mm

BASIC PART NUMBER	RUNNER LENGTH (LN)	=	MIN. DEPTH OF THE CABINET (PM)
<b>1061577250200</b>	250		250
<b>1061577270200</b>	270		270
<b>1061577300200</b>	300		300
<b>1061577350200</b>	350		350
<b>1061577400200</b>	400		400
<b>1061577450200</b>	450		450
<b>1061577470200</b>	470		470
<b>1061577500200</b>	500		500
<b>1061577550200</b>	550		550
<b>1061577600200</b>	600		600

## Fixing the drawer onto the runners

### Clip 1071000010100

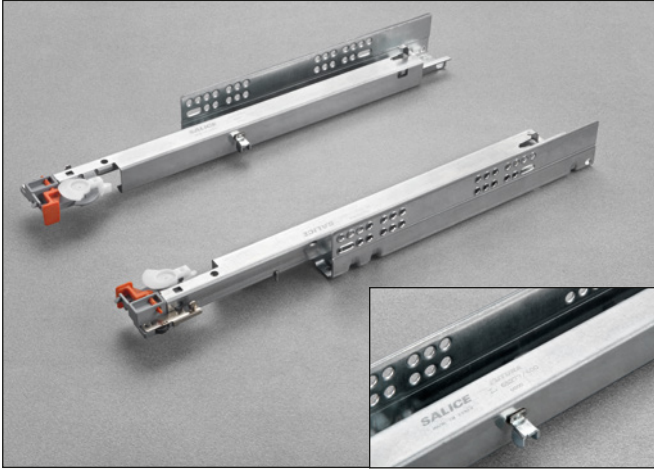
Detail of the clip with tool free integrated height adjustment.



Detail of the Push system integrated into the runner which allows the opening of handle-less drawers.



**Futura Push 65277 - Concealed runner**



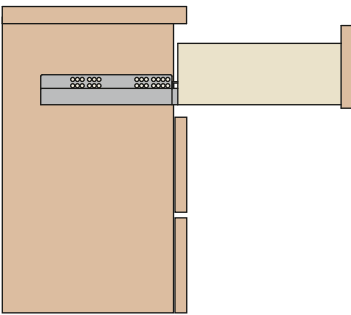
**Full-extension runner fixed to the drawer by pin-fix clip.**

**Push:** the new opening system for handle-less drawers, is fully integrated in the runner.

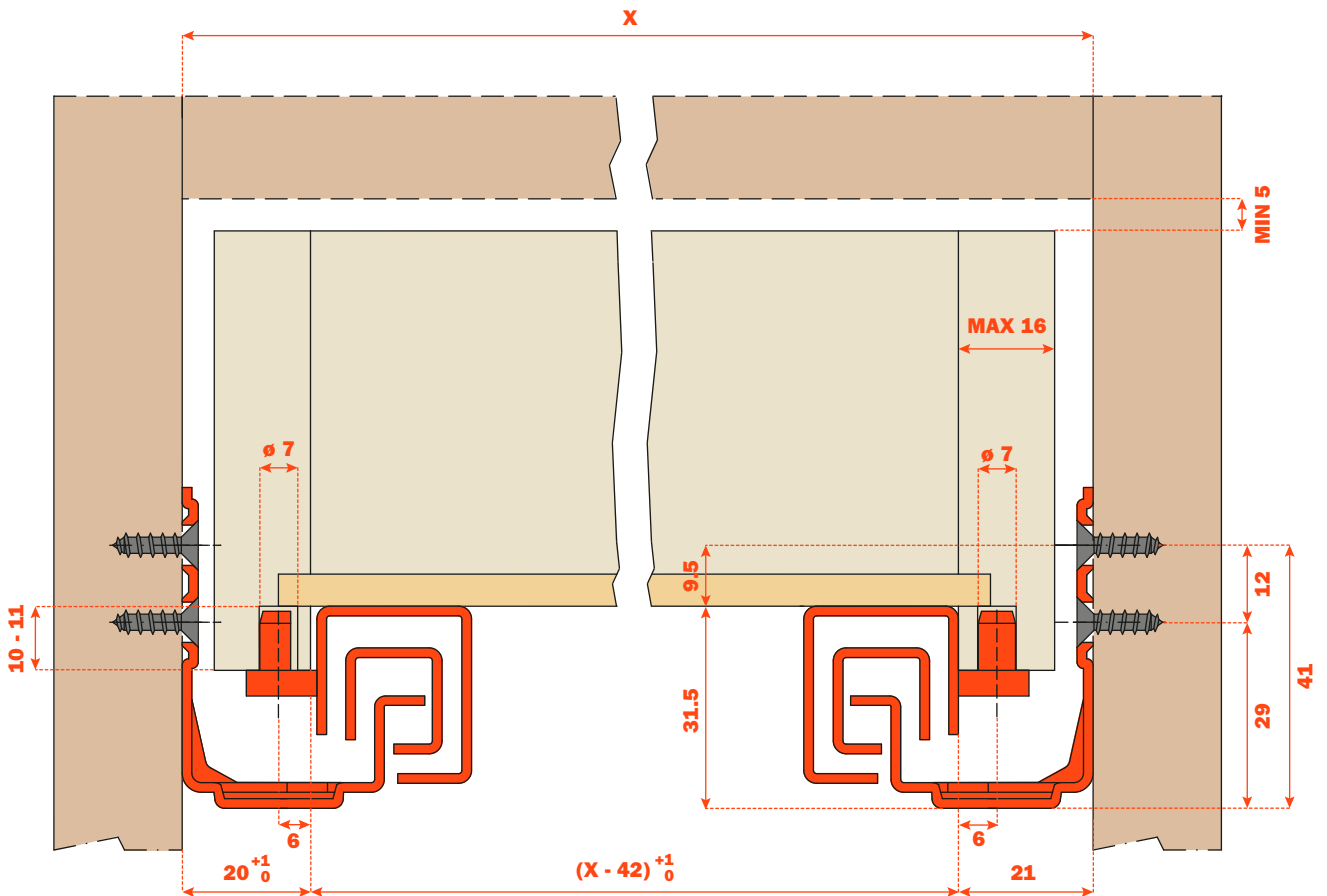
**A slight pressure of the drawer frontal is sufficient for the drawer to self-open.**

**Product features**

- Dynamic load capacity N 294 (Kg 30).
- Push opening system.
- Safety system that prevents the drawer from overturning.
- Drawer height adjustment +3 mm.
- Drawer depth adjustment  $\pm 2$  mm.
- The drawer is maintained parallel with the cabinet side during opening.
- Drawer fixing without screws.
- The drawer is held in the closed position.
- Synchronisation system for the opening of large drawers (optional) available for all runner lengths.
- Compatible with ART. 61277.
- Finish: bright zinc-plated.

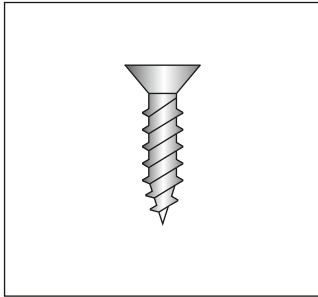


**Dimensions**





## Part number

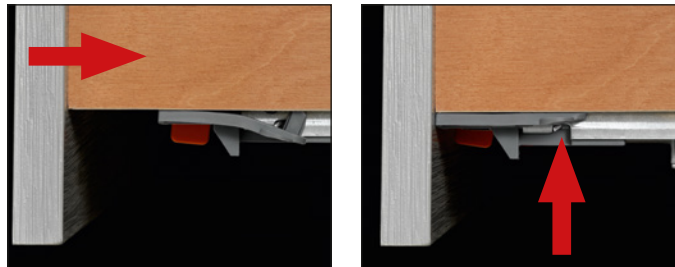


To be screw fixed  
Screw TSP  $\varnothing$  3.5 mm

BASIC PART NUMBER	RUNNER LENGTH (LN)	MIN. DEPTH OF THE CABINET (PM)
<b>1065277250200</b>	250	260
<b>1065277270200</b>	270	280
<b>1065277300200</b>	300	310
<b>1065277350200</b>	350	360
<b>1065277400200</b>	400	410
<b>1065277450200</b>	450	460
<b>1065277470200</b>	470	480
<b>1065277500200</b>	500	510
<b>1065277550200</b>	550	555
<b>1065277600200</b>	600	605

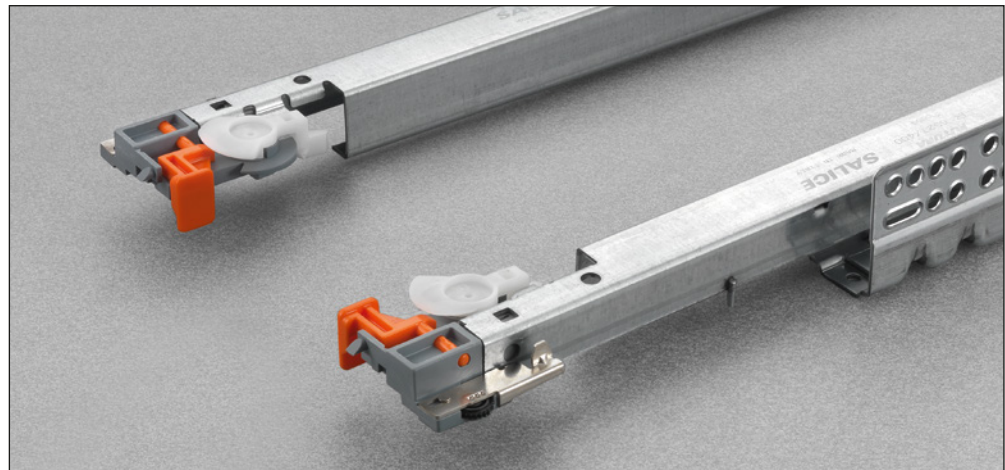
## Fixing the drawer onto the runners

The flexibility of the system enables the locating pin to be engaged simply by placing the drawer onto the runners and closing it.

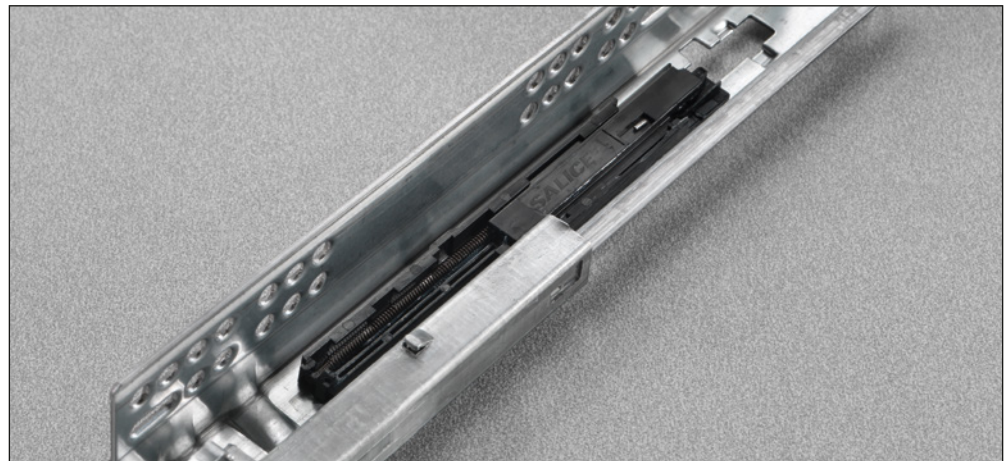


Detail of the pin-fix clip premounted on the runner, with:

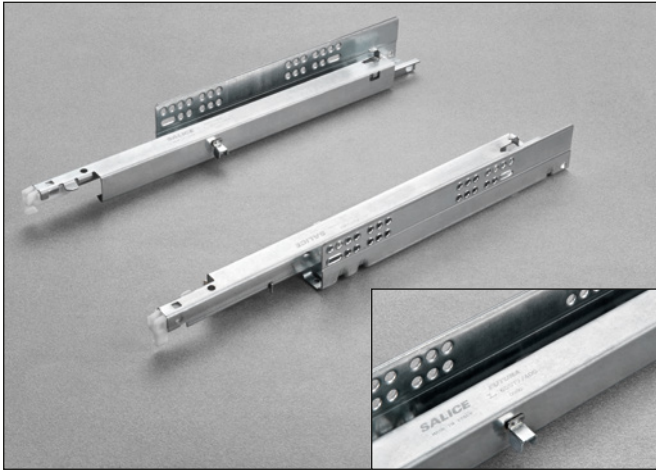
- Tool free height and depth adjustment;
- Safety device to prevent the drawers from turning over;
- Locating pin.



Detail of the Push system integrated into the runner which allows the opening of handle-less drawers.



**Futura Push 65577 - Concealed runner**



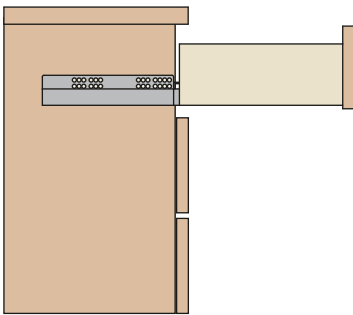
**Full-extension runner fixed to the drawer by clip.**

**Push:** the new opening system for handle-less drawers, is fully integrated in the runner.

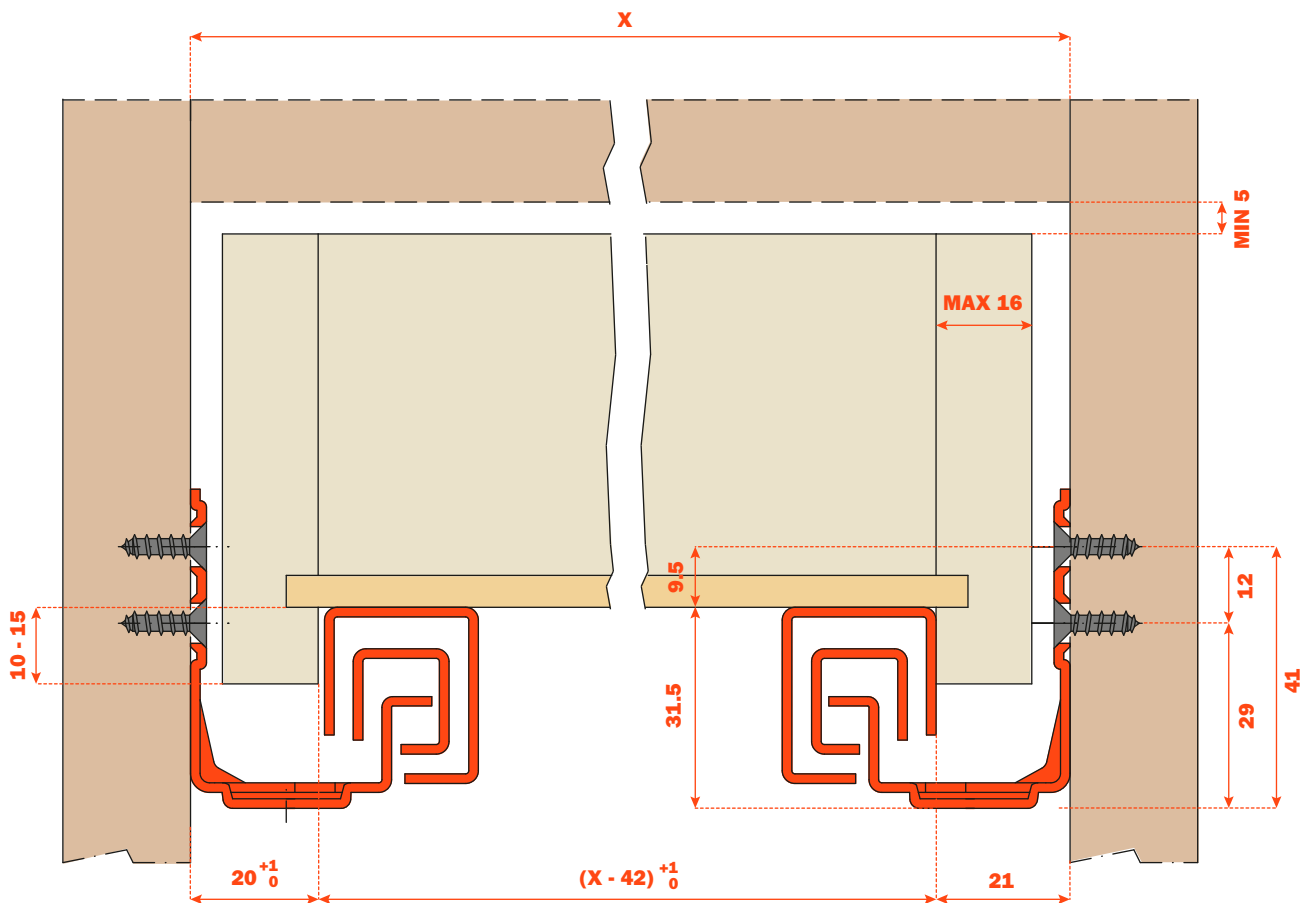
**A slight pressure of the drawer frontal is sufficient for the drawer to self-open.**

**Product features**

- Dynamic load capacity N 294 (Kg 30).
- Push opening system.
- Safety system that prevents the drawer from overturning.
- Drawer height adjustment +2.5 mm with clip 10 710.
- Drawer height adjustment +2.5 mm, side adjustment  $\pm 1.5$  mm depth adjustment  $\pm 2$  mm with clip 10 750.
- The drawer is maintained parallel with the cabinet side during opening.
- The drawer is held in the closed position.
- Synchronisation system for the opening of large drawers (optional) available for all runner lengths.
- Compatible with ART. 61577.
- Finish: bright zinc-plated.

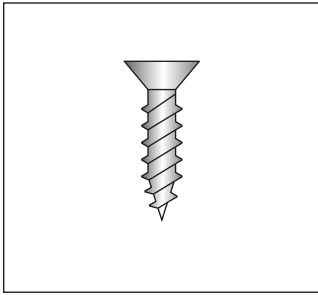


**Dimensions**





## Part number



To be screw fixed  
Screw TSP  $\varnothing$  3.5 mm

BASIC PART NUMBER	RUNNER LENGTH (LN)	MIN. DEPTH OF THE CABINET (PM)
<b>1065577250200</b>	250	260
<b>1065577270200</b>	270	280
<b>1065577300200</b>	300	310
<b>1065577350200</b>	350	360
<b>1065577400200</b>	400	410
<b>1065577450200</b>	450	460
<b>1065577470200</b>	470	480
<b>1065577500200</b>	500	510
<b>1065577550200</b>	550	555
<b>1065577600200</b>	600	605

## Fixing the drawer onto the runners

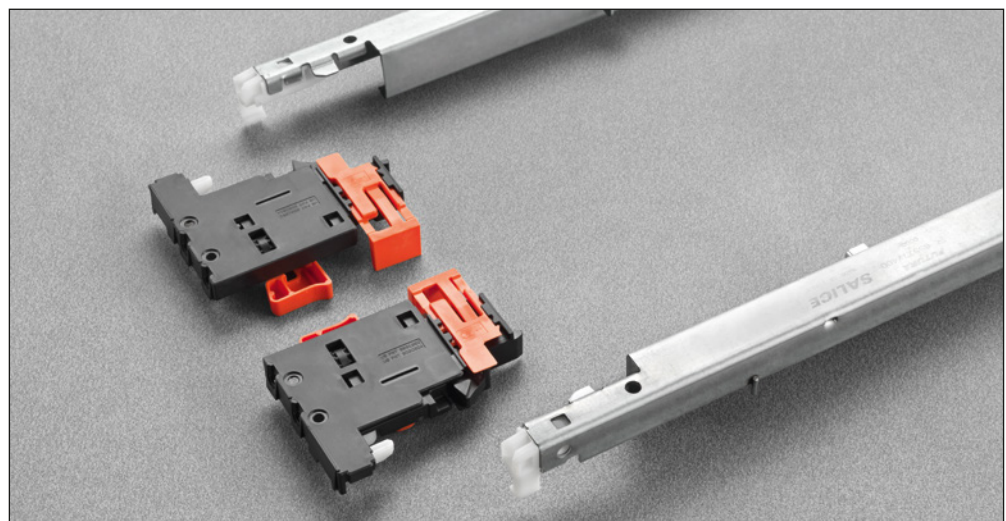
### Clip 1071000010100

Detail of the clip with tool free integrated height adjustment.



### Clip 1075000010100

Detail of the tool free integrated 3-way adjustment clip (height, depth and side adjustment).



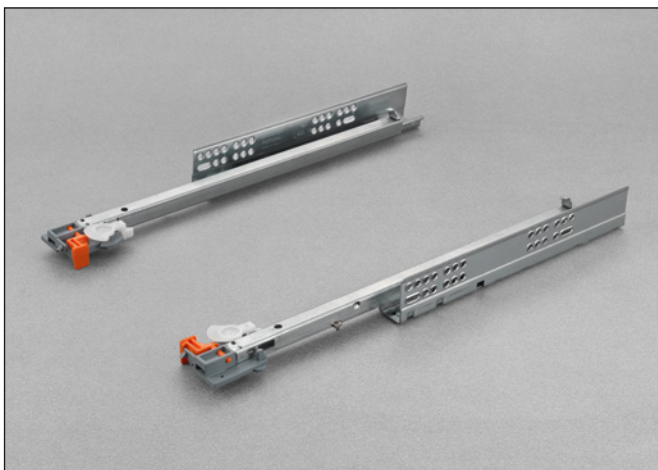






## **Futura Smove**

**Futura Smove 61250 - Concealed runner**

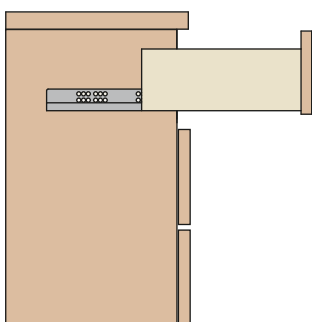


**Part-extension runner fixed to the drawer by pin-fix clip.**

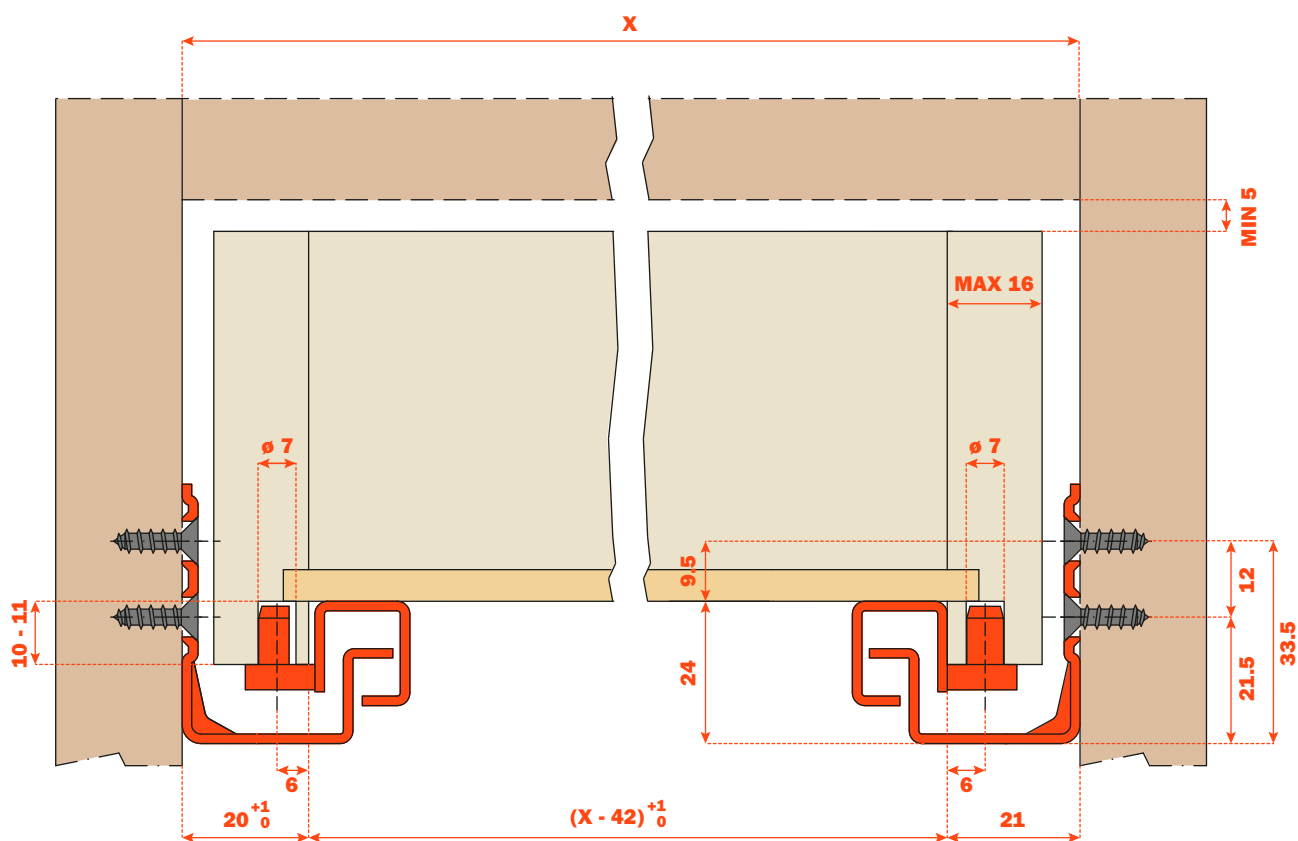
**Smove: fully integrated in the runner, decelerates the closing action of the drawer.**

**Product features**

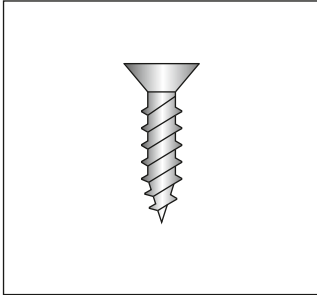
- Dynamic load capacity N 294 (Kg 30).
- Smove decelerated closing.
- Safety system that prevents the drawers from turning over.
- Drawer height adjustment +3 mm.
- The drawer is maintained parallel with the cabinet side during opening.
- Drawer fixing without screws.
- Compatible with ART. 65250.
- Finish: bright zinc-plated.



**Dimensions**



## Part number

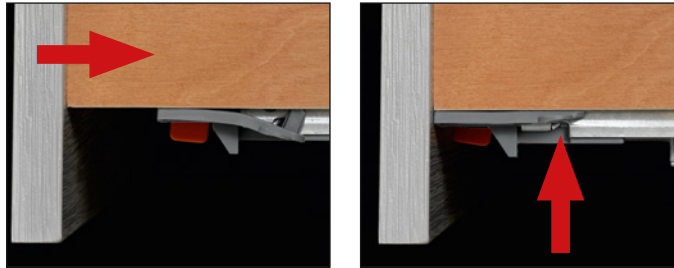


To be screw fixed  
Screw TSP  $\varnothing$  3.5 mm

BASIC PART NUMBER	RUNNER LENGTH (LN)	=	MIN. DEPTH OF THE CABINET (PM)
<b>1061250250200</b>	250		250
<b>1061250270200</b>	270		270
<b>1061250300200</b>	300		300
<b>1061250350200</b>	350		350
<b>1061250400200</b>	400		400
<b>1061250450200</b>	450		450
<b>1061250470200</b>	470		470
<b>1061250500200</b>	500		500
<b>1061250550200</b>	550		550
<b>1061250600200</b>	600		600

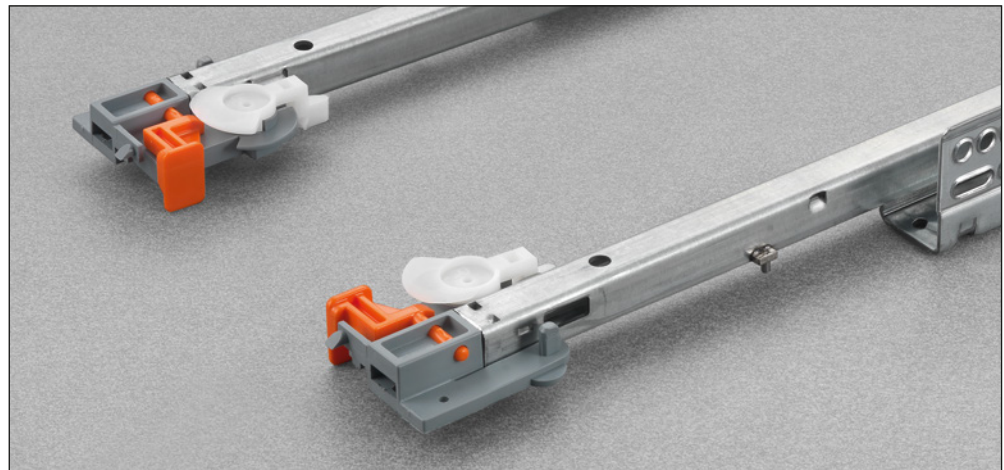
## Fixing the drawer onto the runners

The flexibility of the system enables the locating pin to be engaged simply by placing the drawer onto the runners and closing it.



Detail of the pin-fix clip premounted on the runner, with:

- Tool free height adjustment;
- Safety device to prevent the drawers from turning over;
- Locating pin.



Detail of the Smove system integrated into the runner which allows the decelerated closing of the drawers.



**Futura Smove 61550 - Concealed runner**

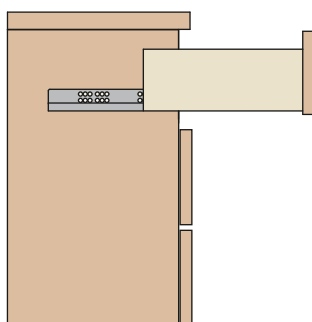


**Part-extension runner fixed to the drawer by clip.**

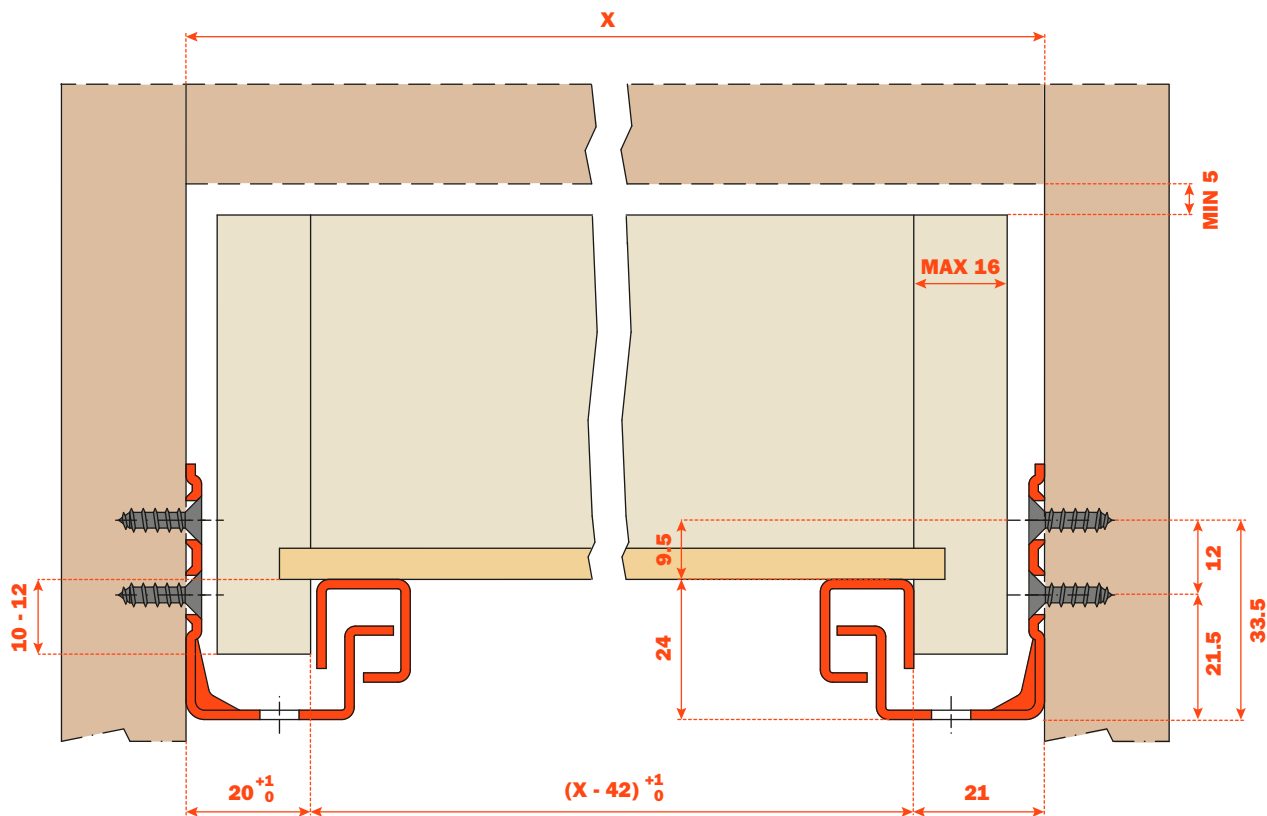
**Smove: fully integrated in the runner, decelerates the closing action of the drawer.**

**Product features**

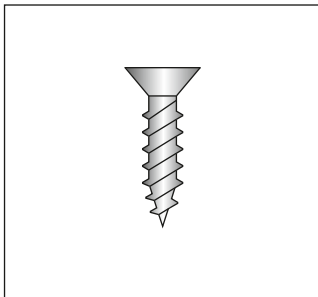
- Dynamic load capacity N 294 (Kg 30).
- Smove decelerated closing.
- Safety system that prevents the drawers from turning over.
- Drawer height adjustment +2,5 mm.
- The drawer is maintained parallel with the cabinet side during opening.
- Compatible with ART. 65550.
- Finish: bright zinc-plated.



**Dimensions**



## Part number



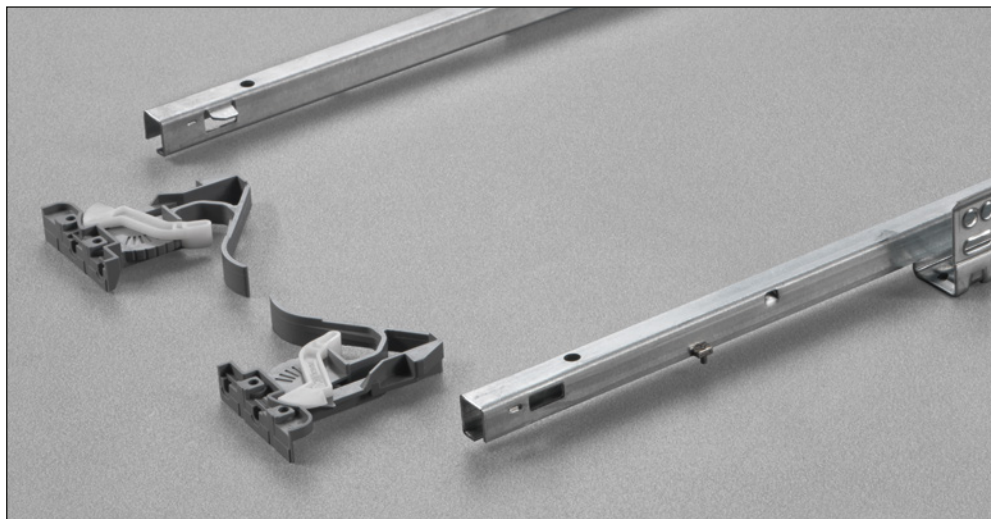
To be screw fixed  
Screw TSP  $\varnothing$  3.5 mm

BASIC PART NUMBER	RUNNER LENGTH (LN)	=	MIN. DEPTH OF THE CABINET (PM)
<b>1061550250200</b>	250		250
<b>1061550270200</b>	270		270
<b>1061550300200</b>	300		300
<b>1061550350200</b>	350		350
<b>1061550400200</b>	400		400
<b>1061550450200</b>	450		450
<b>1061550470200</b>	470		470
<b>1061550500200</b>	500		500
<b>1061550550200</b>	550		550
<b>1061550600200</b>	600		600

## Fixing the drawer onto the runners

### Clip 1071000010100

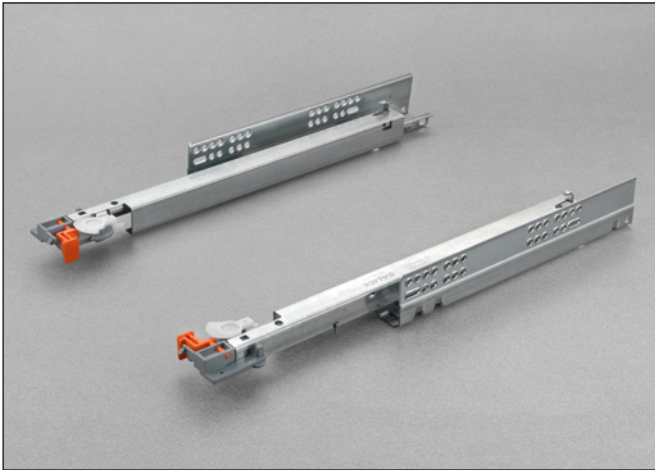
Detail of the clip with tool free integrated height adjustment.



Detail of the Smove system integrated into the runner which allows the decelerated closing of the drawers.



**Futura Smove 65250 - Concealed runner**

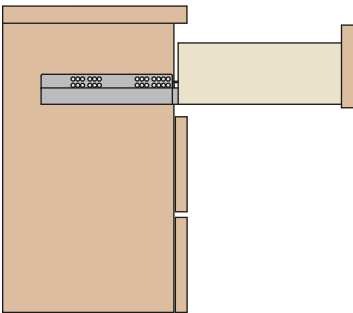


Full-extension runner fixed to the drawer by pin-fix clip.

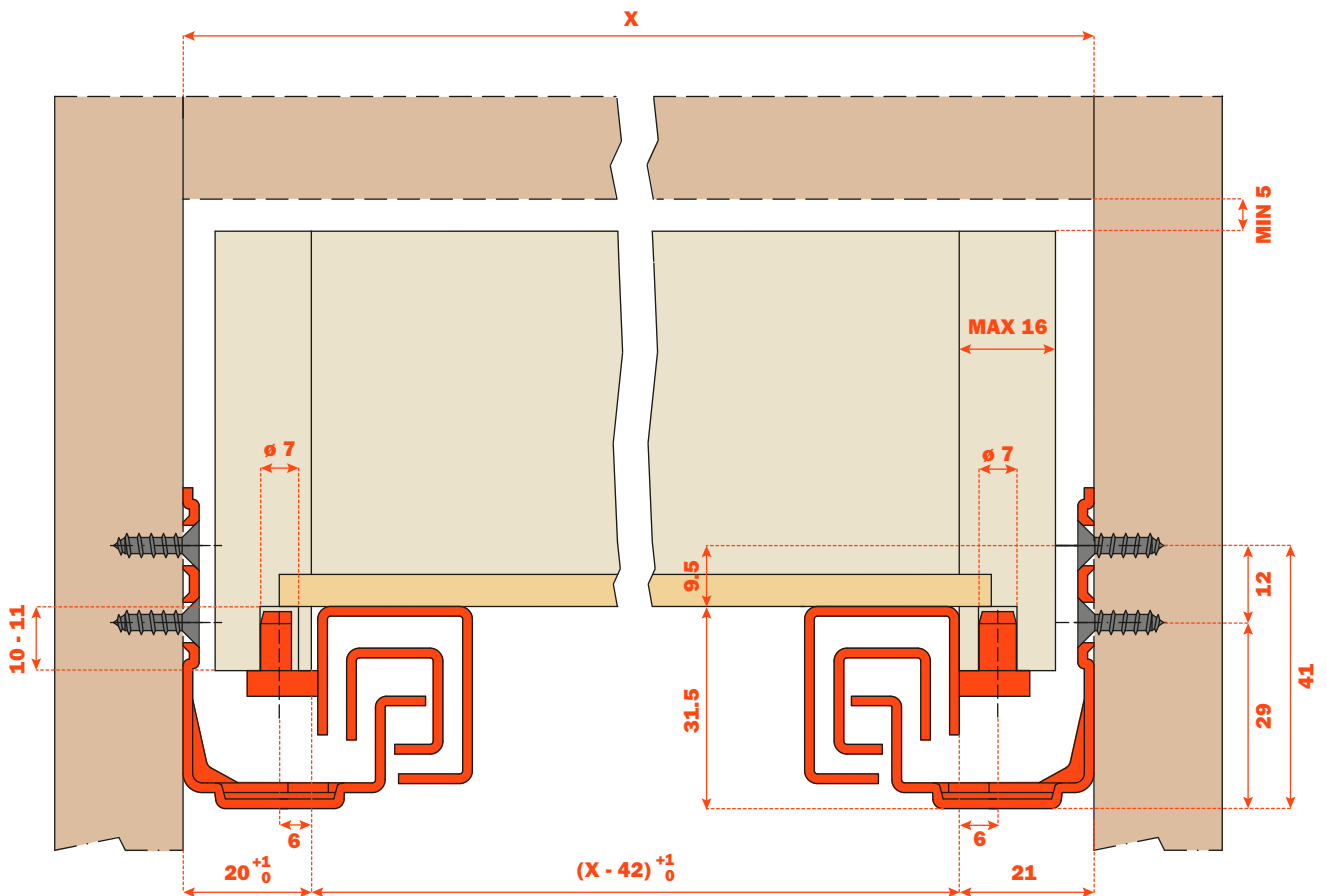
**Smove:** fully integrated in the runner, decelerates the closing action of the drawer.

**Product features**

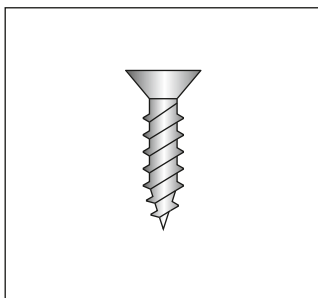
- Dynamic load capacity N 294 (Kg 30).
- Smove decelerated closing.
- Safety system that prevents the drawers from turning over.
- Drawer height adjustment +3 mm.
- The drawer is maintained parallel with the cabinet side during opening.
- Drawer fixing without screws.
- Compatible with ART. 61250.
- Finish: bright zinc-plated.



**Dimensions**



## Part number

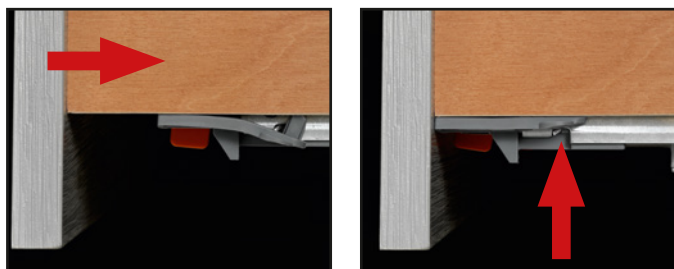


To be screw fixed  
Screw TSP  $\varnothing$  3.5 mm

BASIC PART NUMBER	RUNNER LENGTH (LN)	MIN. DEPTH OF THE CABINET (PM)
<b>1065250250200</b>	250	260
<b>1065250270200</b>	270	280
<b>1065250300200</b>	300	310
<b>1065250350200</b>	350	360
<b>1065250400200</b>	400	410
<b>1065250450200</b>	450	460
<b>1065250470200</b>	470	480
<b>1065250500200</b>	500	510
<b>1065250550200</b>	550	555
<b>1065250600200</b>	600	605

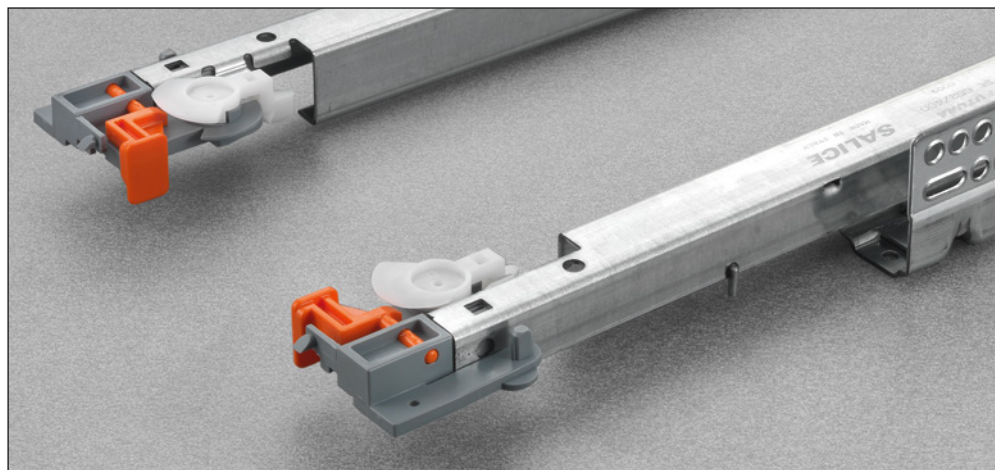
## Fixing the drawer onto the runners

The flexibility of the system enables the locating pin to be engaged simply by placing the drawer onto the runners and closing it.



Detail of the pin-fix clip premounted on the runner, with:

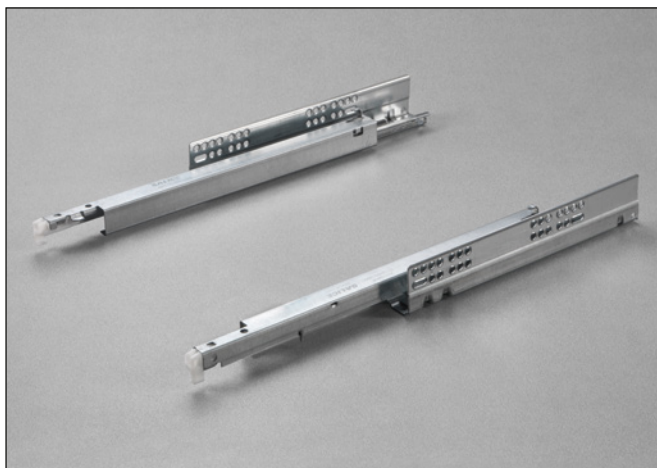
- Tool free height adjustment;
- Safety device to prevent the drawers from turning over;
- Locating pin.



Detail of the Smove system integrated into the runner which allows the decelerated closing of the drawers.



**Futura Smove 65550 - Concealed runner**

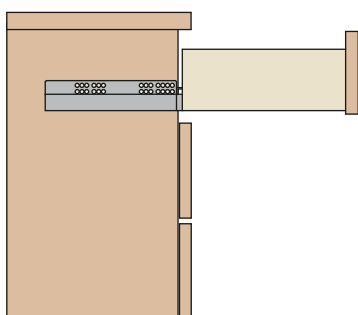


**Full-extension runner fixed to the drawer by clip.**

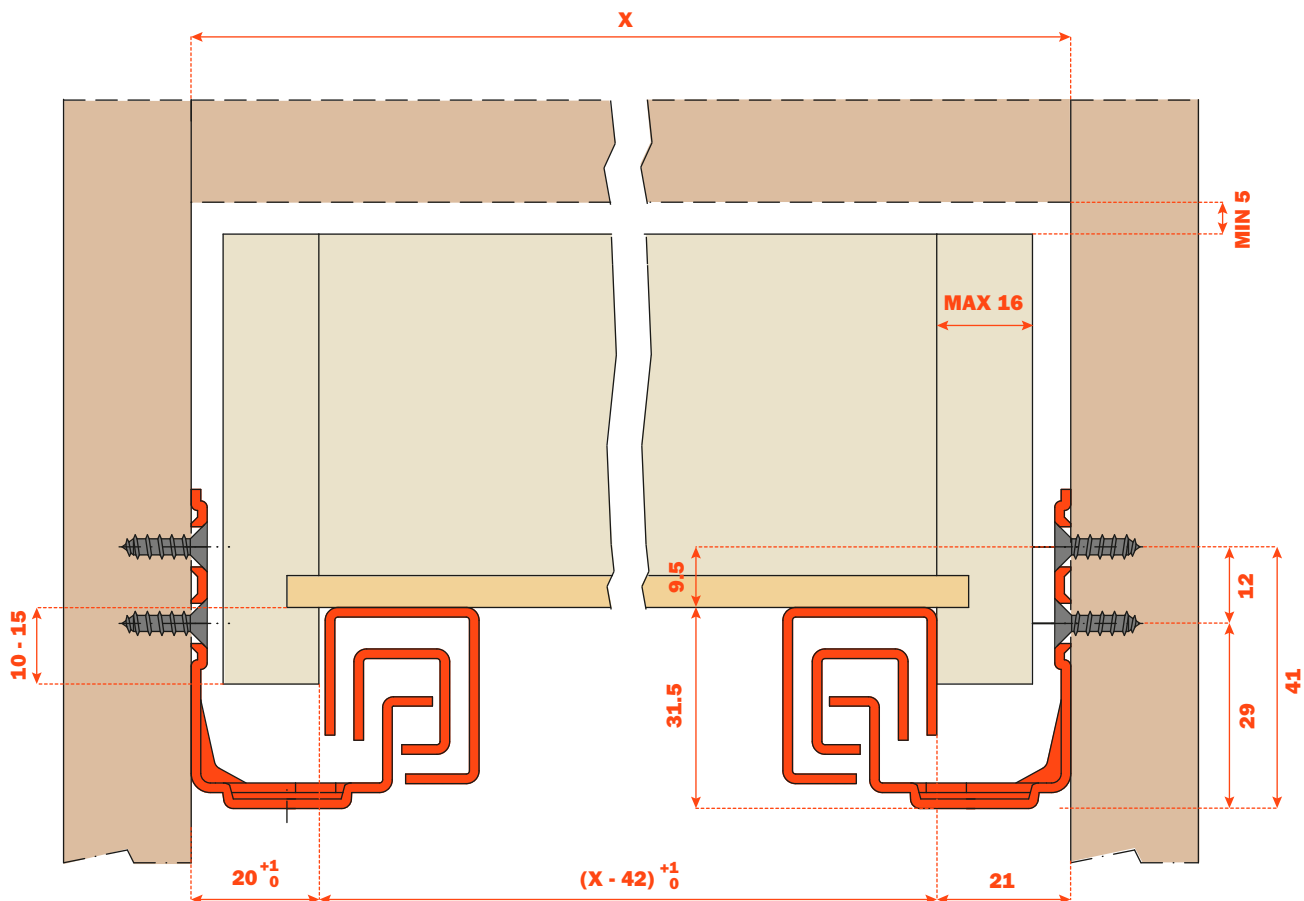
**Smove: fully integrated in the runner, decelerates the closing action of the drawer.**

**Product features**

- Dynamic load capacity N 294 (Kg 30).
- Smove decelerated closing.
- Safety system that prevents the drawers from turning over.
- Drawer height adjustment +2.5 mm with clip 10 710.
- Drawer height adjustment +2.5 mm, side adjustment  $\pm 1.5$  mm, depth adjustment  $\pm 2$  mm with clip 10 750.
- The drawer is maintained parallel with the cabinet side during opening.
- Compatible with ART. 61550.
- Finish: bright zinc-plated.

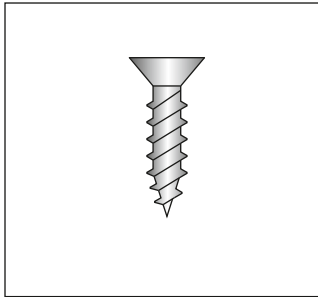


**Dimensions**





## Part number



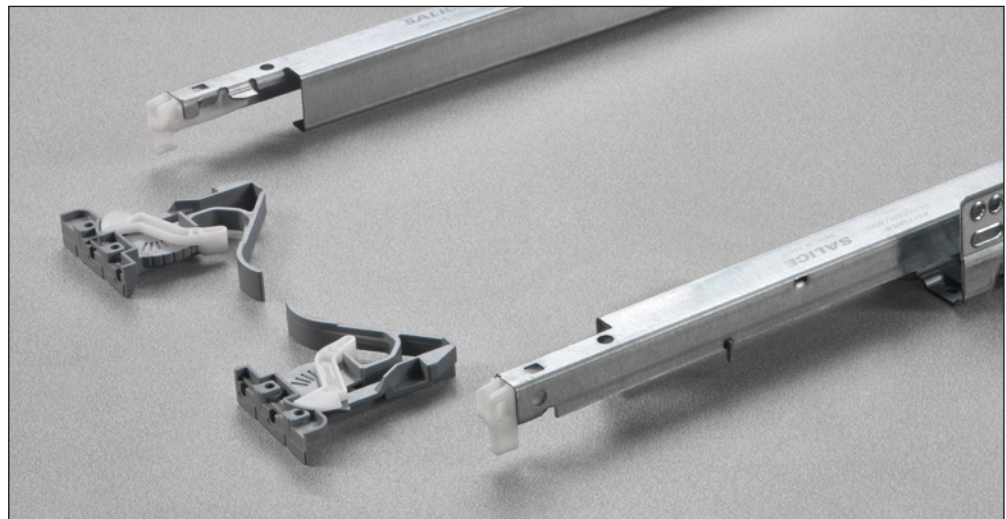
To be screw fixed  
Screw TSP  $\varnothing$  3.5 mm

BASIC PART NUMBER	RUNNER LENGTH (LN)	MIN. DEPTH OF THE CABINET (PM)
<b>1065550250200</b>	250	260
<b>1065550270200</b>	270	280
<b>1065550300200</b>	300	310
<b>1065550350200</b>	350	360
<b>1065550400200</b>	400	410
<b>1065550450200</b>	450	460
<b>1065550470200</b>	470	480
<b>1065550500200</b>	500	510
<b>1065550550200</b>	550	555
<b>1065550600200</b>	600	605

## Fixing the drawer onto the runners

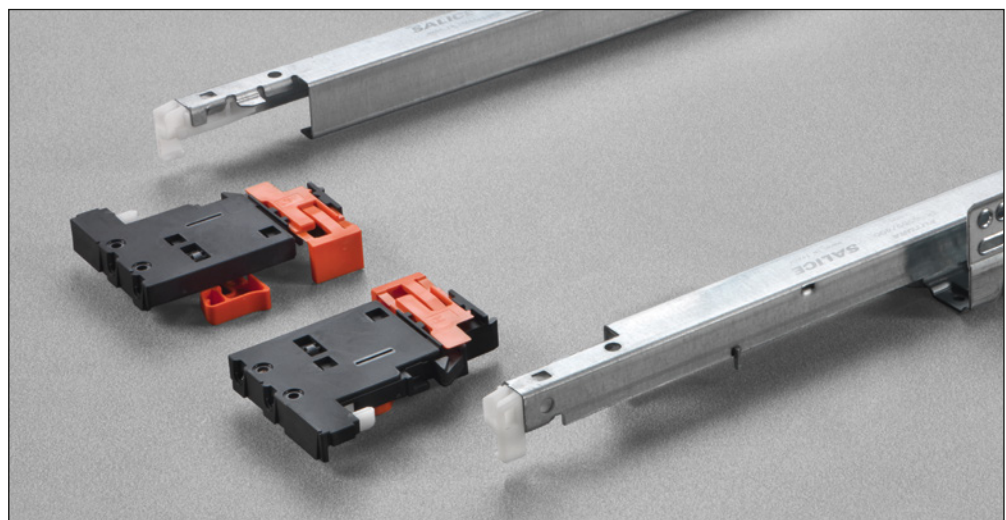
### Clip 1071000010100

Detail of the clip with tool free integrated height adjustment.

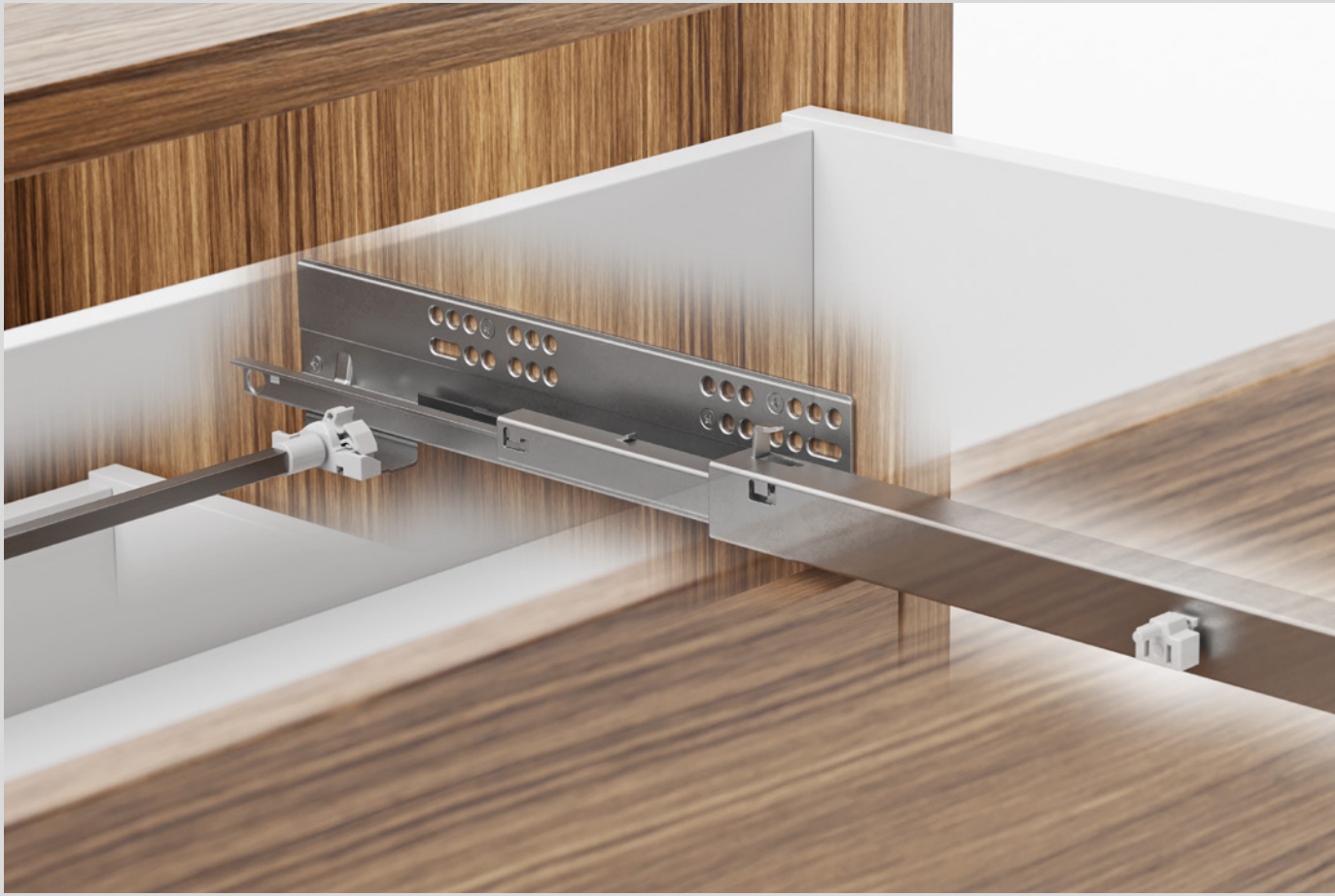


### Clip 1075000010100

Detail of the tool free integrated 3-way adjustment clip (height, depth and side adjustment).







# Accessories

## Futura Push synchroniser

The synchronisation system for Push-open Futura runners has been developed to ensure that drawers of any width can be opened with minimum effort.

The system links the two runners, which thus become a single element; a pressure at any point of the drawer frontal (even at the extremities), is sufficient for the Push devices to release and consequently for the drawer to self-open.

The synchroniser can be used with any drawer width; its functionality is at its best with wider drawers. It can be used on drawers of any width; however it is recommended for drawers over 80 cm in width.

### Product features:

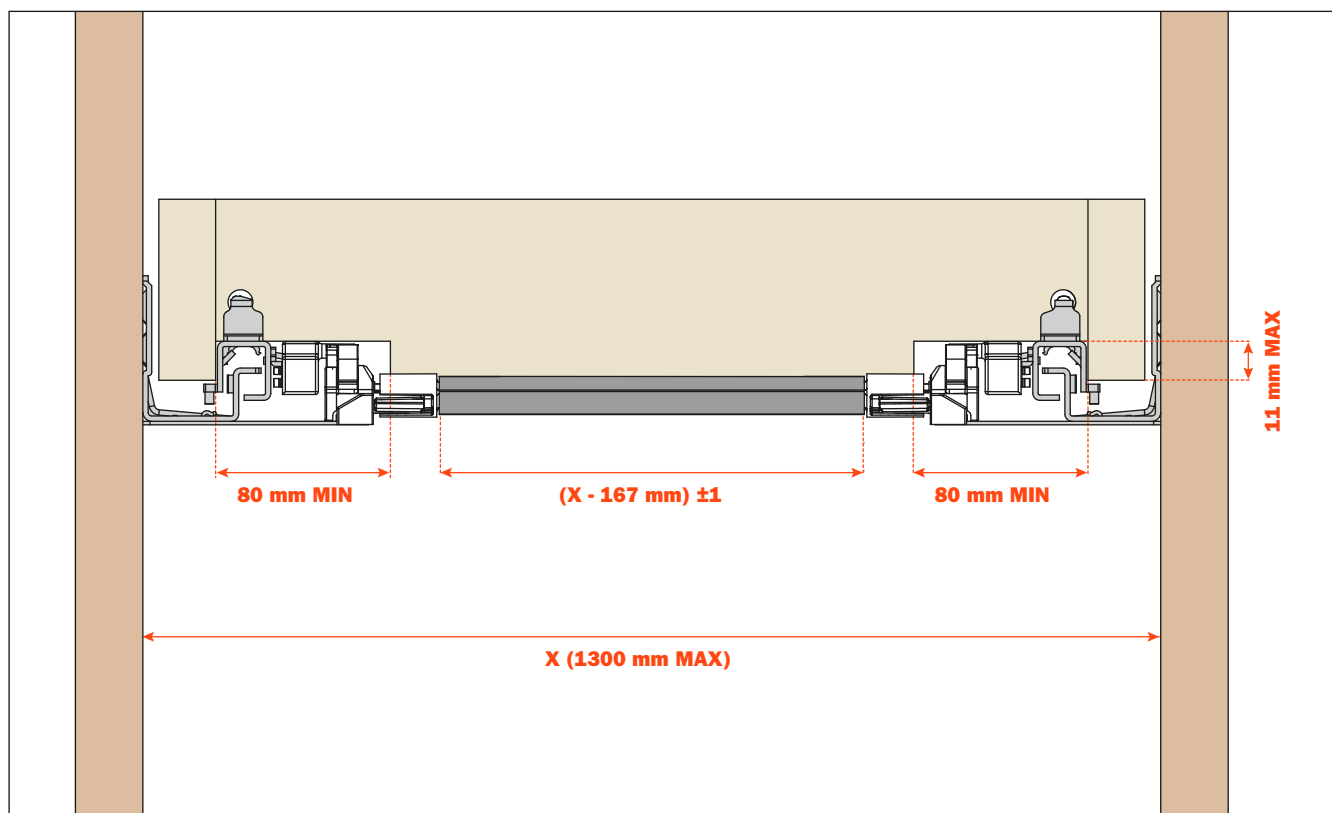
- perfectly silent sliding movement
- the load capacity of the runner remains unchanged
- available on all runner lengths
- min. width of the cabinet (X) = 280 mm
- max. width of the cabinet (X) = 1300 mm
- bar length = 1150 mm (to cut to length)



## Technical information - Formula for cutting the bar to length

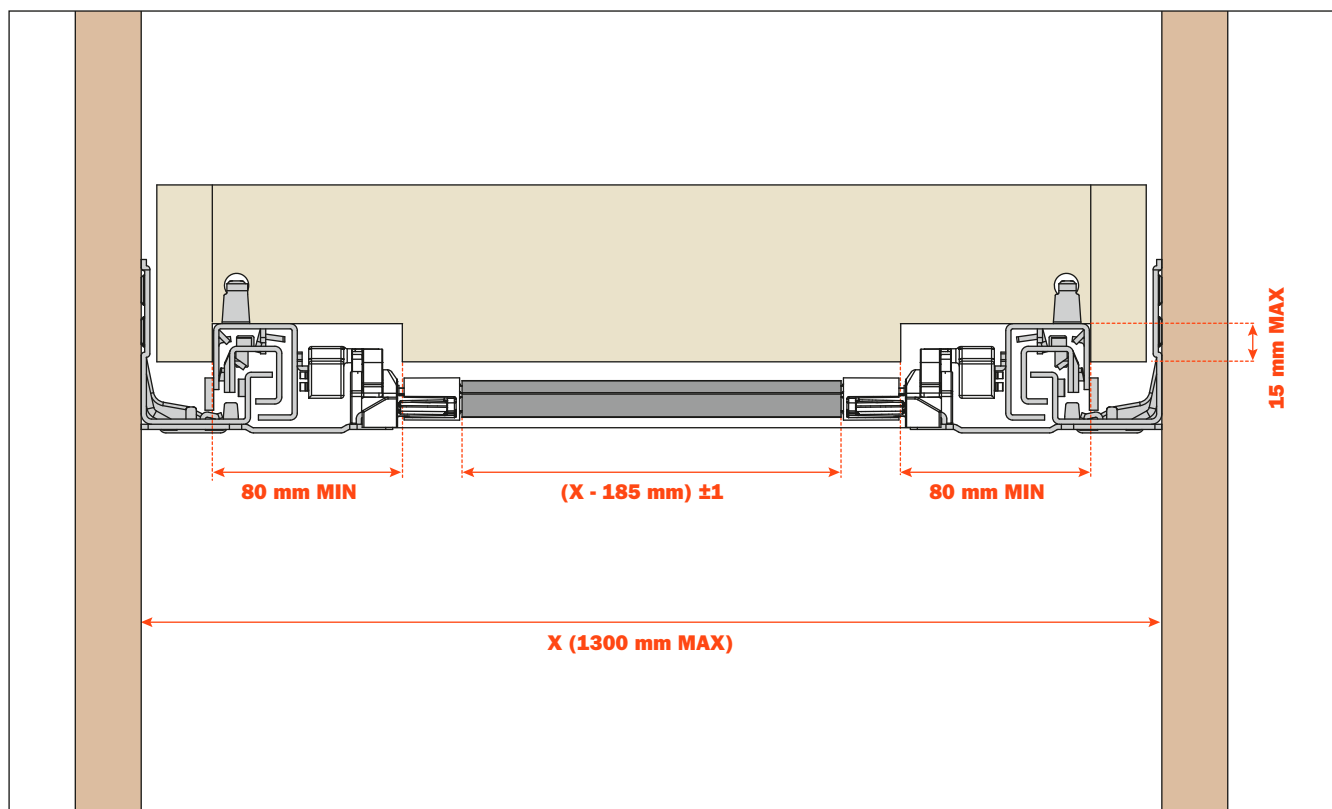
### Part-extension

The assembly of the synchroniser requires a minimum 80 mm wide notch in the rear panel.



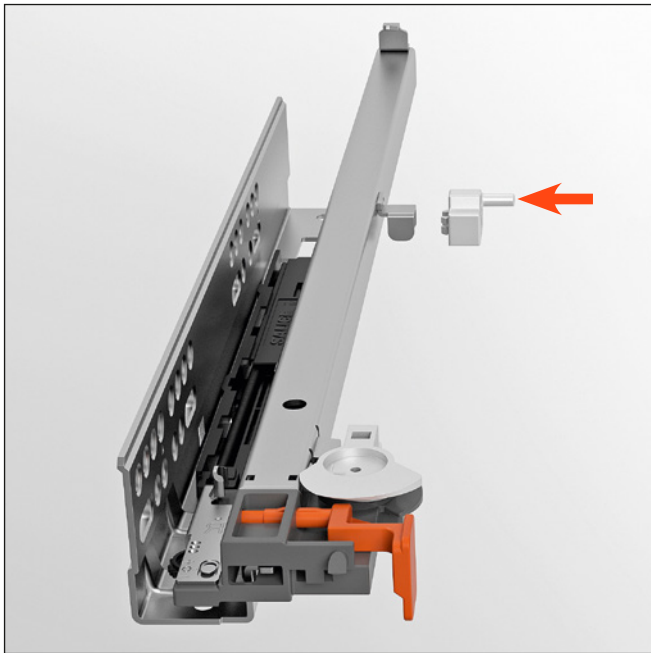
### Full-extension

The assembly of the synchroniser requires a minimum 80 mm wide notch in the rear panel.

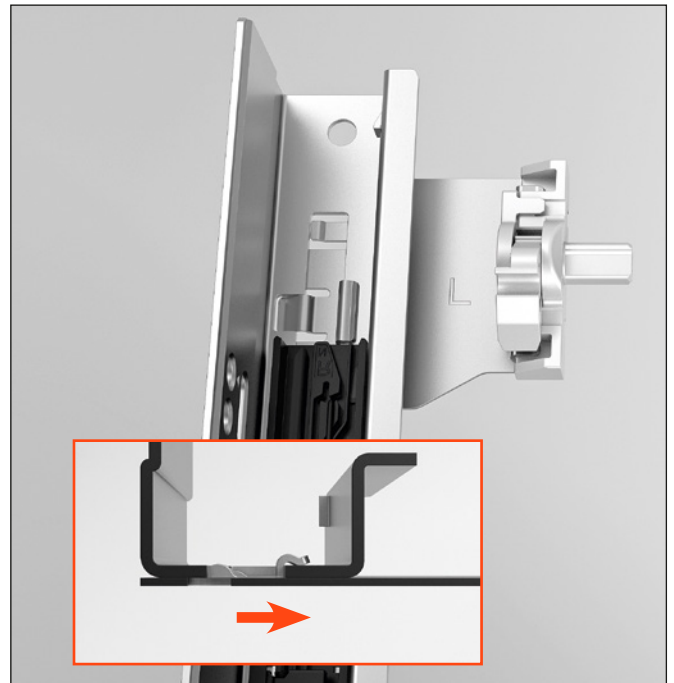
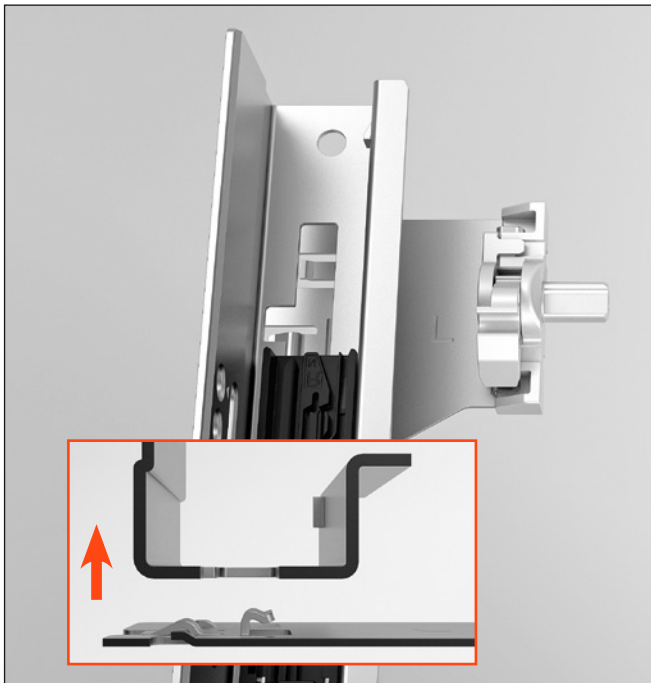


**Futura Push synchroniser - Part-extension - Assembly instructions**

Fitting the driver pins to the runners



Slide the carrier plates into position on the runners in the direction indicated by the arrows



Screw-fix the runners to the cabinet side

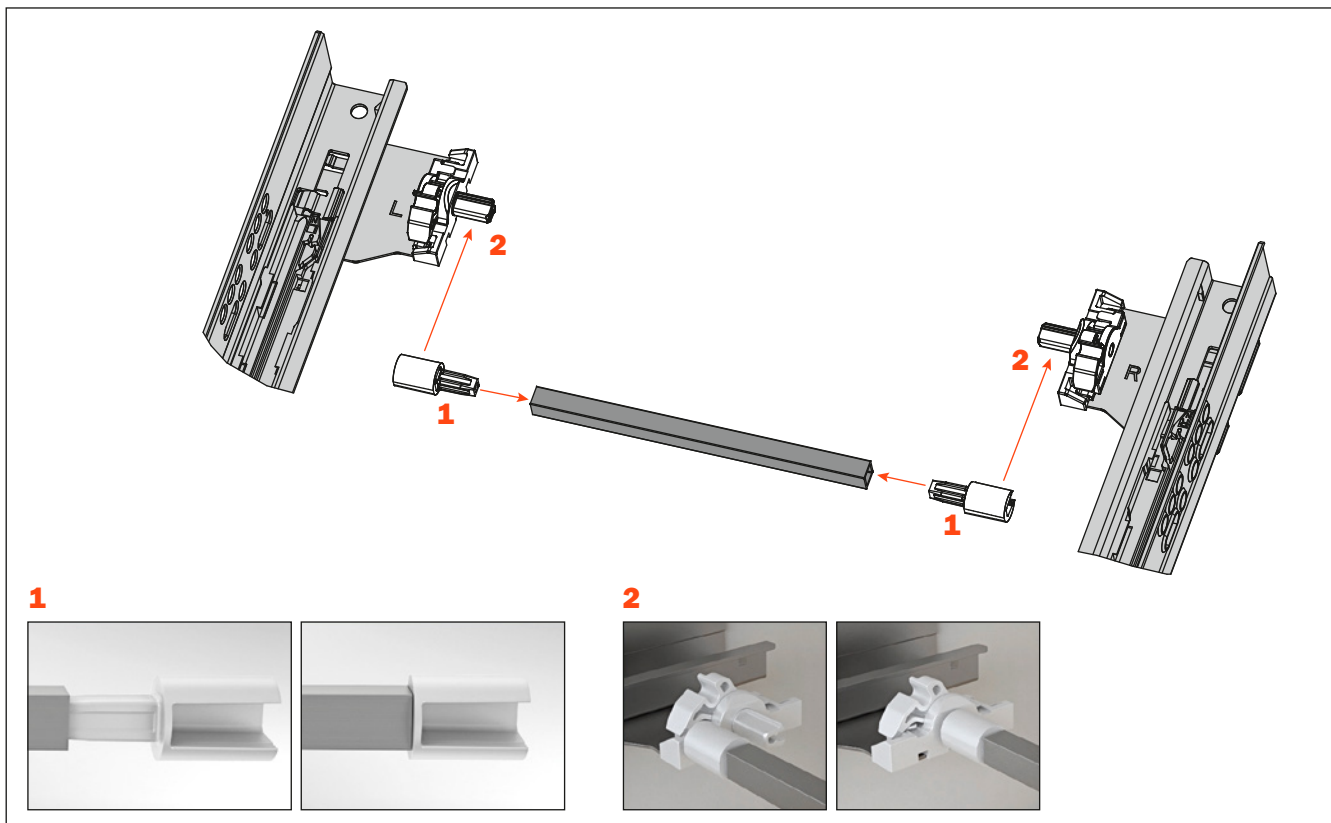


Cut the stabiliser bar to length



## Part-extension - Assembly instructions

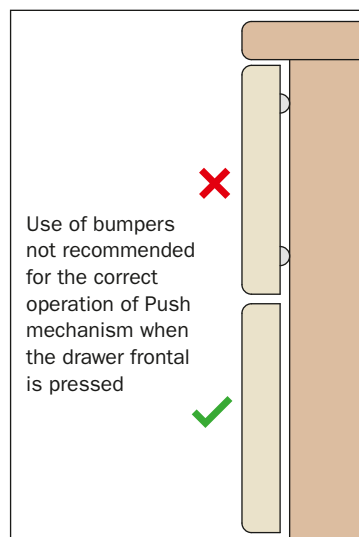
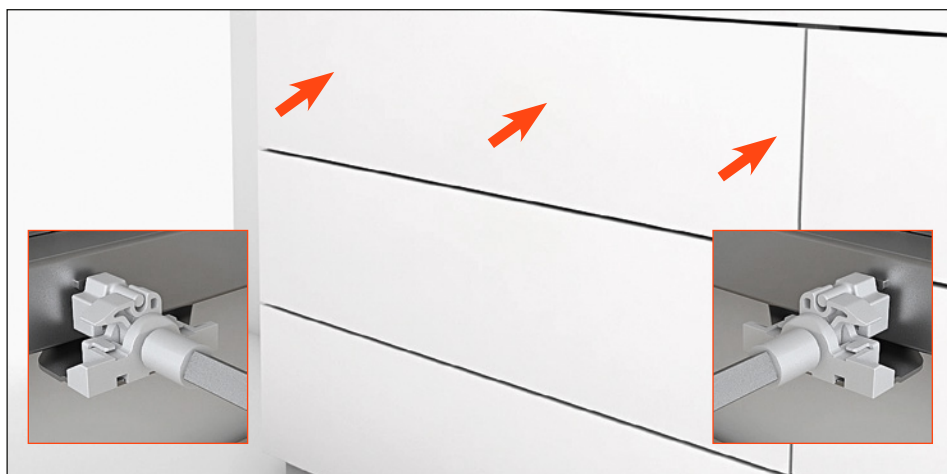
1. Press the end caps onto the bar
2. Fix the bar to the plates



Insert the drawer

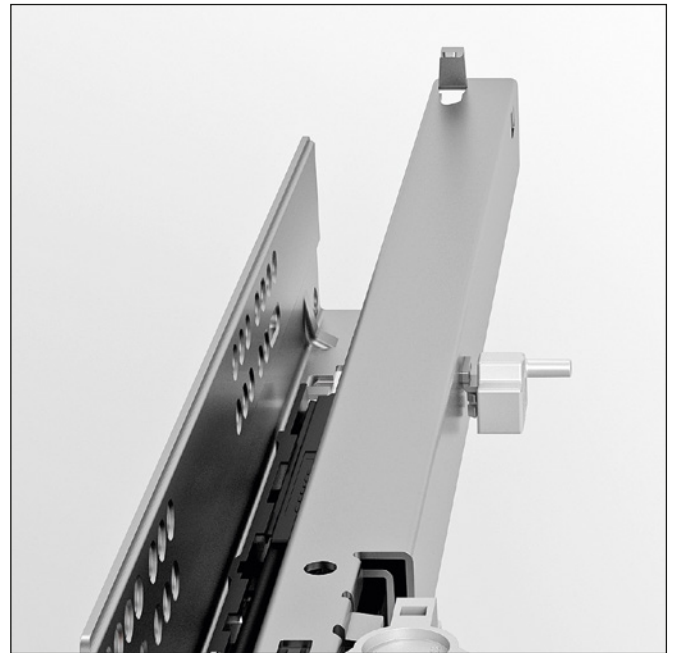
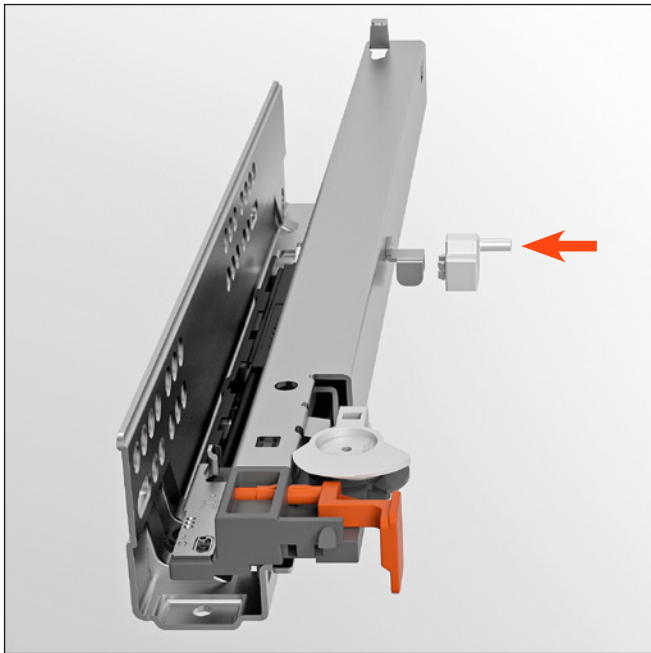


A pressure at any point on the drawer frontal is sufficient for the drawer to self-open

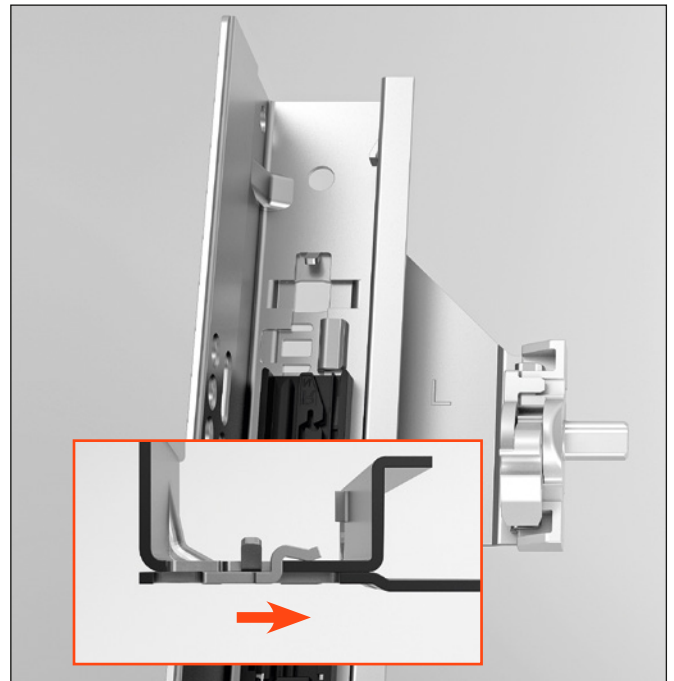
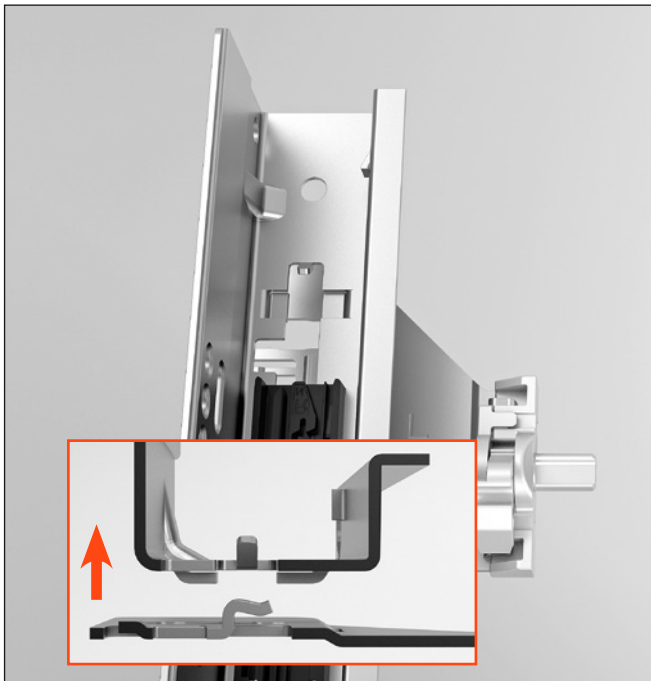


## Futura Push synchroniser - Full-extension - Assembly instructions

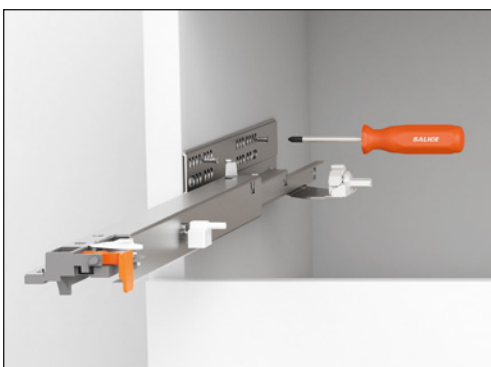
Fitting the driver pins to the runners



Slide the carrier plates into position on the runners in the direction indicated by the arrows



Screw-fix the runners to the cabinet side



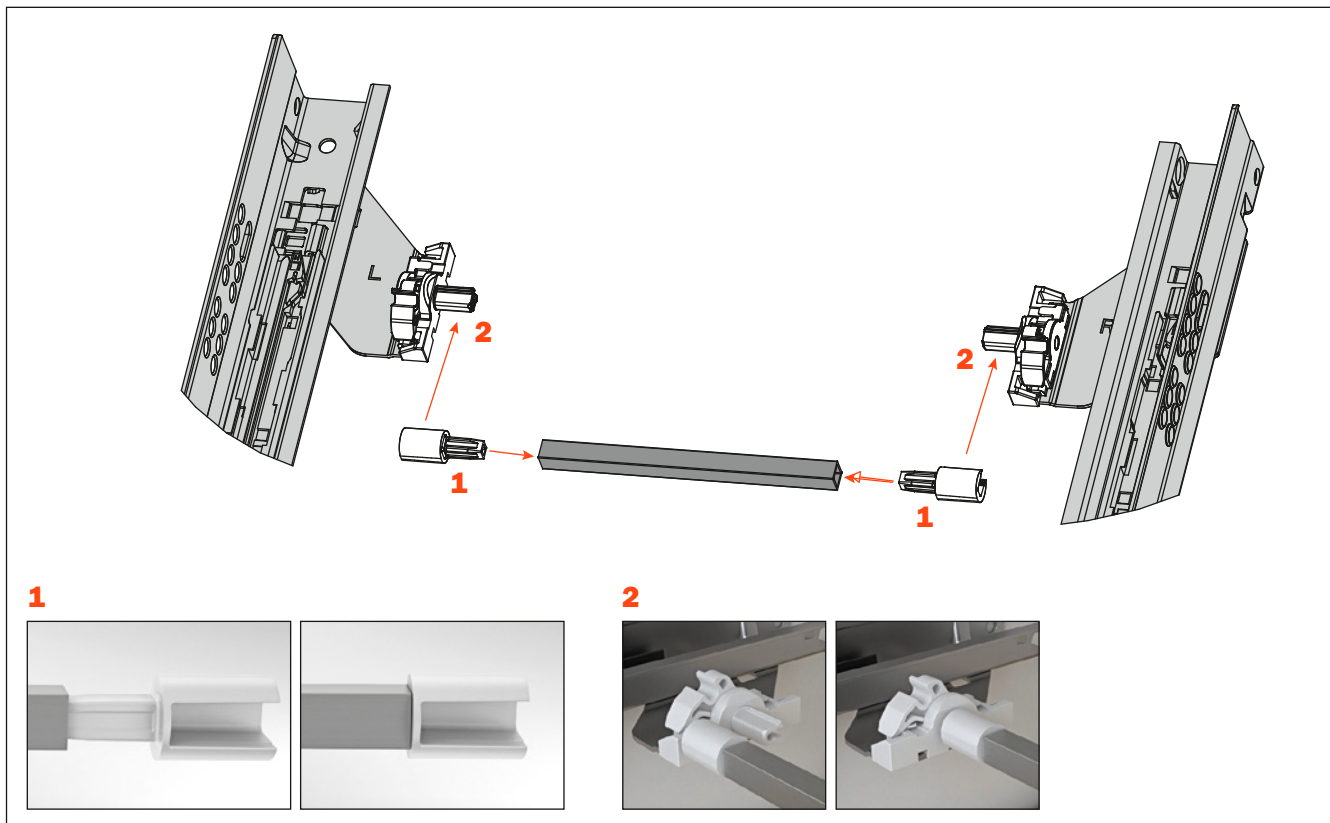
Cut the stabiliser bar to length



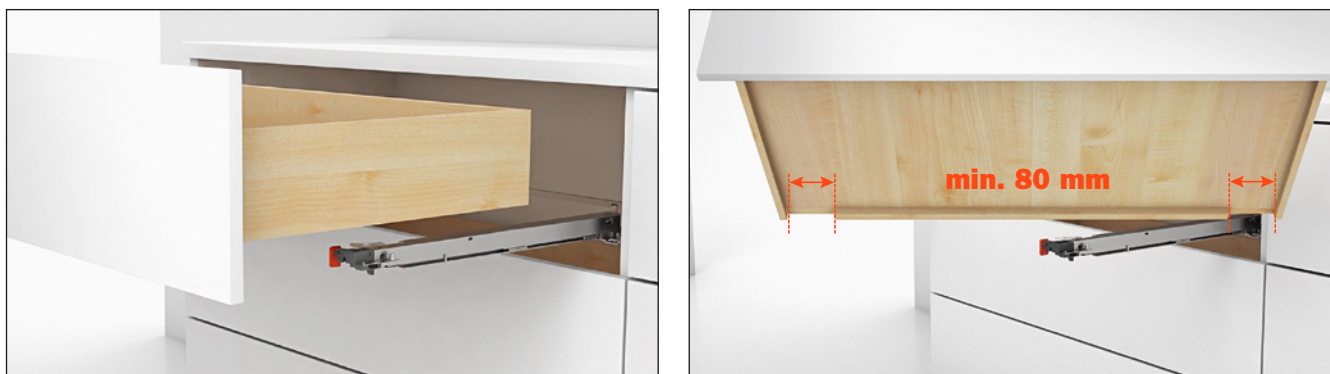


## Assembly instructions

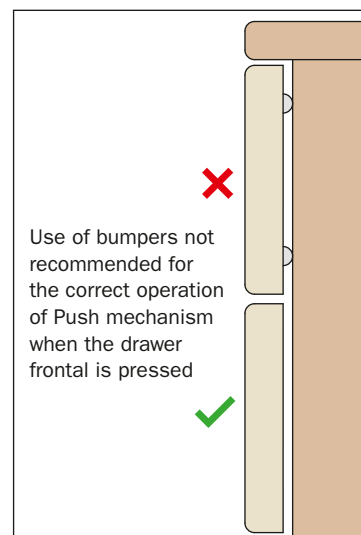
1. Press the end caps onto the bar
2. Fix the bar to the plates



Insert the drawer



A pressure at any point on the drawer frontal is sufficient for the drawer to self-open



## Futura Push synchroniser - Packing

### SINGLE PACKING

#### APKFGP51150

##### Part-extension

PACKING

1 BOX = 20 single kits

1 KIT:

- 1 stabiliser bar
- 2 end caps
- 2 driver pins
- 1 right carrier plate and 1 left carrier plate



#### APKFGT51150

##### Full-extension

PACKING

1 BOX = 20 single kits

1 KIT:

- 1 stabiliser bar
- 2 end caps
- 2 driver pins
- 1 right carrier plate and 1 left carrier plate



### INDUSTRIAL PACKING

#### APKIGP51150

##### Part-extension

PACKING = 100 kits

1 KIT:

- 1 BOX = 100 stabiliser bars
- 200 end caps
- 200 driver pins
- 1 BOX = 100 right carrier plates
- 1 BOX = 100 left carrier plates

#### APKIGT51150

##### Full-extension

PACKING = 100 kits

1 KIT:

- 1 BOX = 100 stabiliser bars
- 200 end caps
- 200 driver pins
- 1 BOX = 100 right carrier plates
- 1 BOX = 100 left carrier plates



## Stabilizer for drawers

- To be fitted on both right and left sides of the drawer
- Cam adjustment to allow a perfect bearing of the rollers on the cabinet side
- Combined with Push runners it allows the opening also by pressing the extremities of the drawer
- It improves the overall stability of the drawer



### SINGLE PACKING

**6869400000202**

PACKING

1 BOX = 50 BAGS

1 BAG:

- 2 pcs

- 1 template with assembly instructions

### INDUSTRIAL PACKING

**6869400000200**

PACKING

1 BOX:

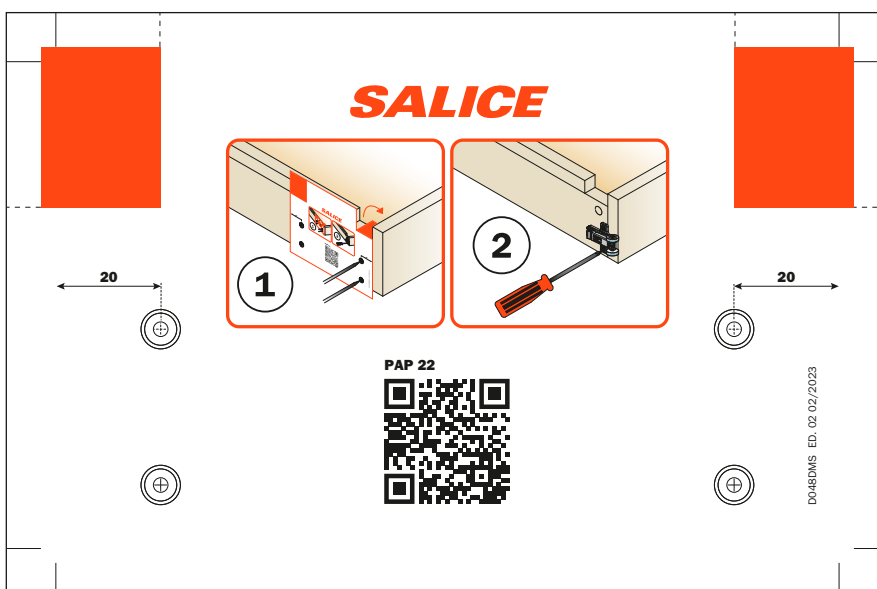
- 300 pcs

- 1 template with assembly instructions



### Template with assembly instructions

Included in the packing



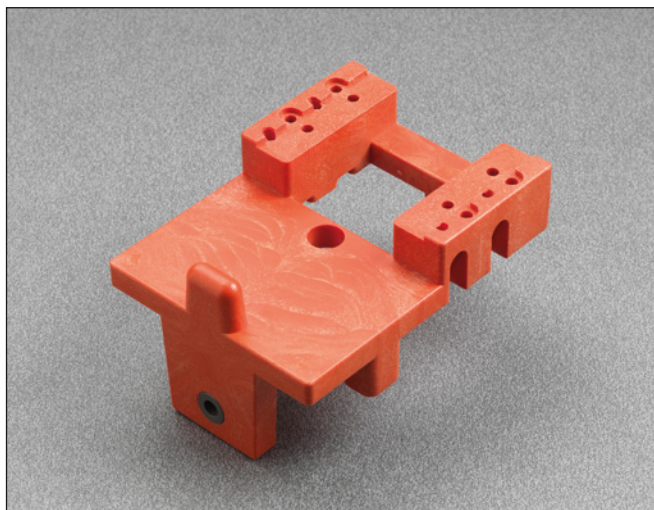
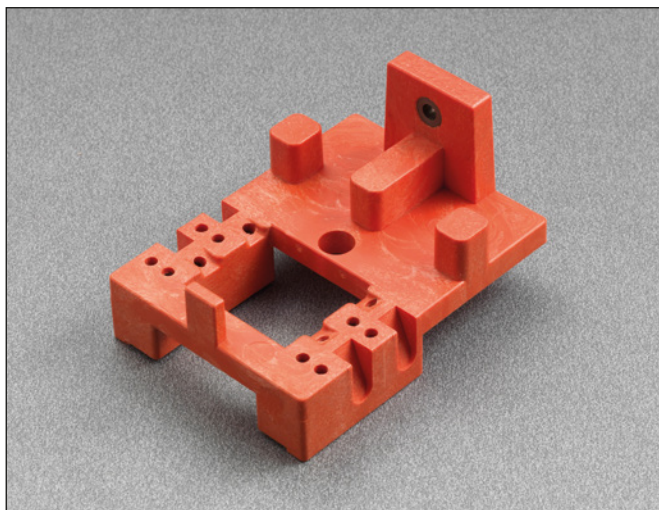
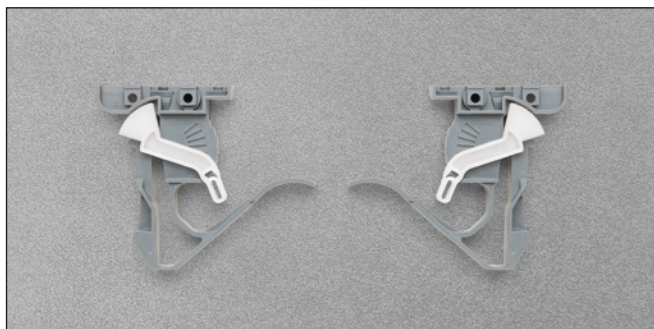
## Drawer drilling templates for Futura runners

**1099800652009**

**Template for drawer drilling and 1 way adjustable clip fixing.**

PACKING  
1 BOX = 50 pcs

**Clip 1071000010100**

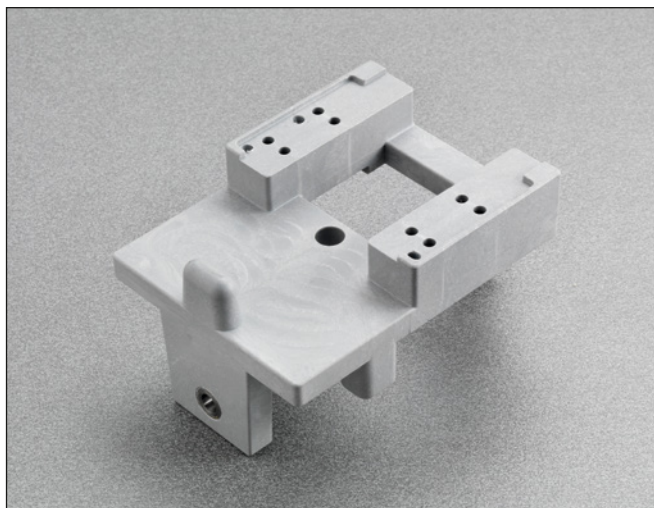
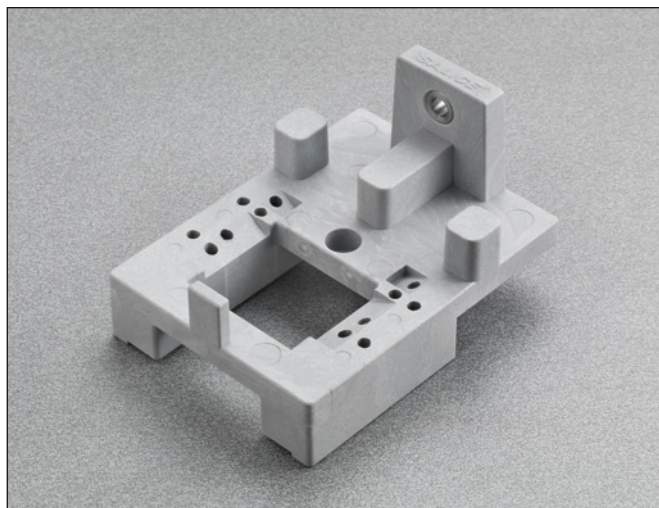
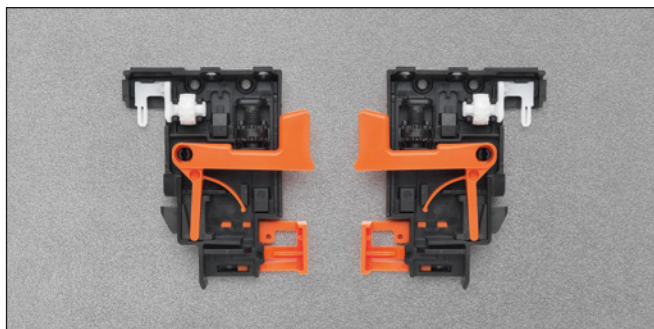


**1099800652010**

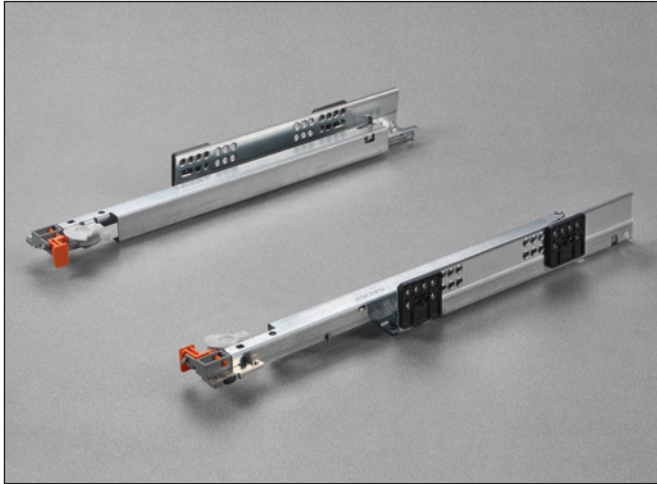
**Template for drawer drilling and 3 way adjustable clip fixing.**

PACKING  
1 BOX = 50 pcs

**Clip 1075000010100**



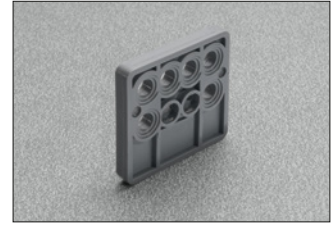
## Spacers for Futura runners



**825104145**

**Spacer, thickness 4.5 mm**

PACKING  
1 box = 1000 pcs

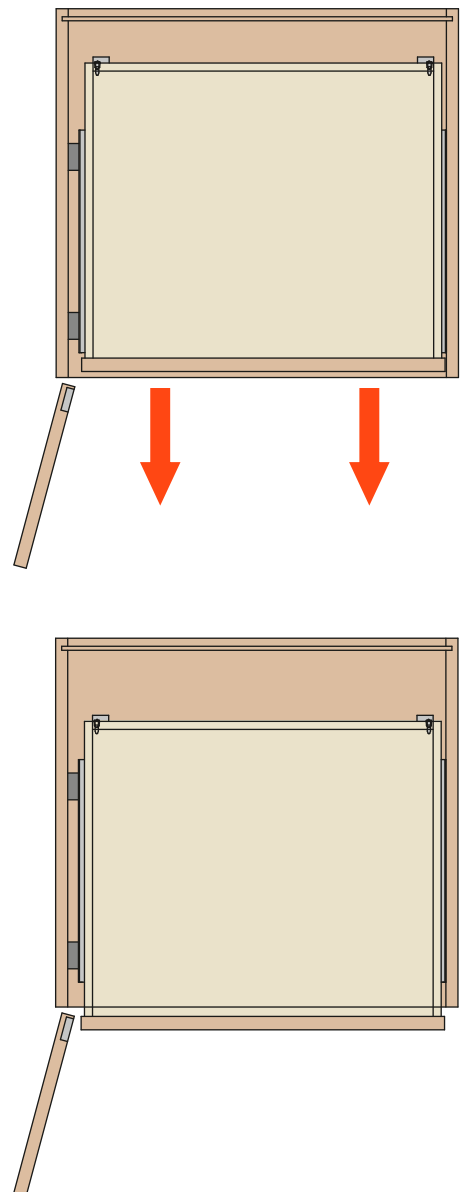
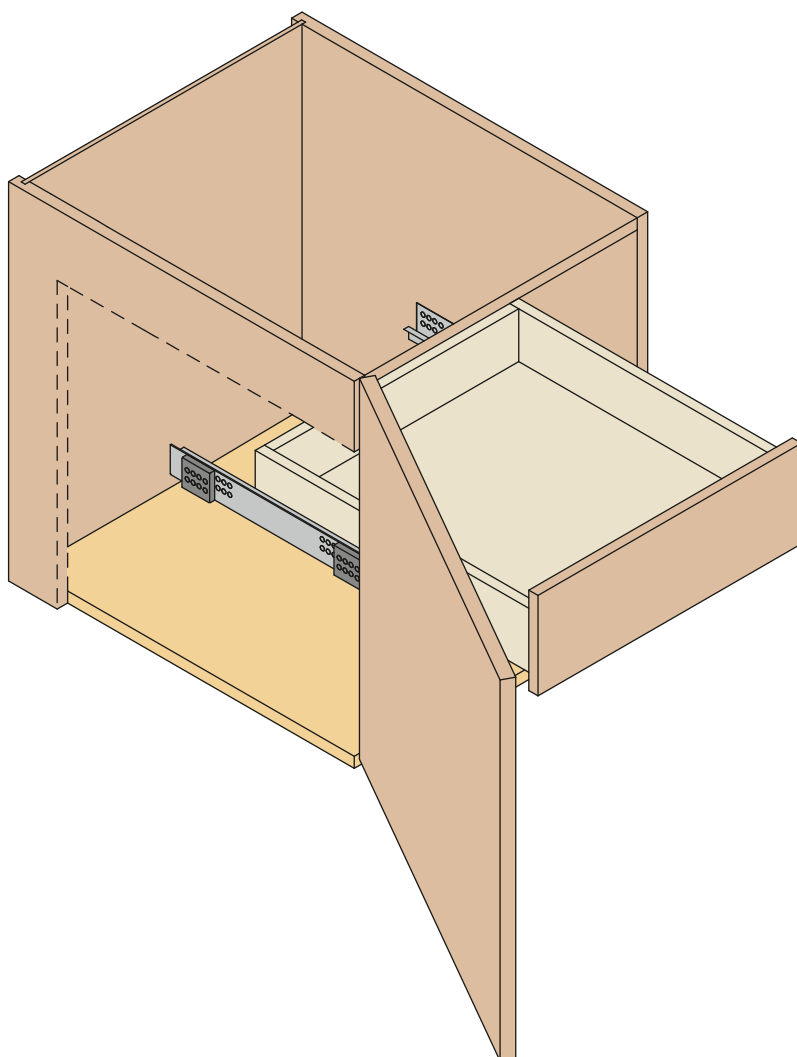


**825104160**

**Spacer, thickness 6 mm**

PACKING  
1 box = 800 pcs

To be used to compensate for different assembly widths or the projection of the door.



## Fixing screws

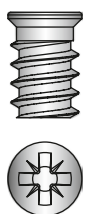
### Wood screw

**V234X164I**

ø 4 x 16 mm  
Pre-drilling ø 2 x 2 mm

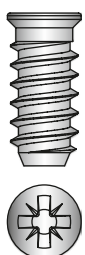
PACKING  
1 box = 20.000 pcs

### Euro screws

**V136X114I**

Drilling ø 5 x 10 mm

PACKING  
1 box = 10.000 pcs

**V136X154I**

Drilling ø 5 x 14 mm

PACKING  
1 box = 5.000 pcs



## **ARTURO SALICE S.p.A.**

VIA PROVINCIALE NOVEDRATESE, 10  
22060 NOVEDRATE (COMO) ITALIA  
TEL. 031 790424 - FAX 031 791508  
info.salice@salice.com - www.salice.com

## **SALICE GUIDE S.p.A.**

VIA ARISTIDE MERLONI, 11  
61036 COLLI AL METAURO (PU) ITALIA  
TEL. 0721 899800 - FAX 0721 897980  
info.saliceguide@salice.com - www.salice.com

### **DEUTSCHE SALICE GMBH**

RUDOLF DIESEL STR. 10  
74382 NECKARWESTHEIM  
TEL. 07133 9807-0  
FAX. 07133 9807-16  
info.salice@deutschesalice.de  
www.salice.com

### **DEUTSCHE SALICE GMBH**

VERKAUFSBÜRO NORD  
RINGSTRASSE 36/A30 CENTER  
32584 LÖHNE  
TEL. 05731 15608-0  
FAX. 05731 15608-10  
vknord@deutschesalice.de  
www.salice.com

### **SALICE UK LTD.**

KINGFISHER WAY  
HINCHINGBROOKE BUSINESS PARK  
HUNTINGDON CAMBS PE 29 6FN  
TEL. 01480 413831  
FAX. 01480 451489  
info.salice@saliceuk.co.uk  
www.salice.com

### **SALICE FRANCE S.A.R.L.**

285 RUE DE GOA ZAC LES 3 MOULINS  
06600 ANTIBES  
TEL. 0493 330069  
FAX. 0493 330141  
info.salice@salicefrance.com  
www.salice.com

### **SALICE ESPAÑA, S.L.U.**

C/ AIGUAFREDA 4, P.I. AMETLLA PARK  
08480 L'AMETLLA DEL VALLÈS (BARCELONA)  
TEL. 0034 938 46 88 61  
info.salice@saliceespana.es  
www.salice.com

### **SALICE PORTUGAL UNIP. LDA**

#### **SHOWROOM:**

TV SÁ E MELO 161 FA  
4470-116 MAIA - PORTO  
TEL: 00351 224 154 221  
Info@saliceportugal.pt  
www.salice.com

#### **ARMAZÉM:**

VIA ROTA DOS MÓVEIS I 399  
4585-325 GANDRA

### **SALICE CHINA (SHANGHAI) CO. LTD.**

1st FLOOR, B1 BLDG 928 MINGZHU ROAD  
XUJING, QINGPU DISTRICT  
SHANGHAI 201702 - CHINA  
TEL. 021 3988 9880  
FAX. 021 3988 9882  
info.salice@salicechina.com  
www.salicechina.com

### **SALICE INDIA PVT. LTD.**

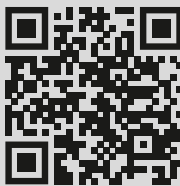
1001 & 1002, 10TH FLOOR,  
CENTRUM, PLOT NO. C-3,  
OPP. WAGLE PRABHAG SAMITI OFFICE,  
MIDC AREA, WAGLE INDUSTRIAL ESTATE,  
THANE - 400604, MAHARASHTRA  
TEL. 022 20812050  
info@saliceindia.com  
www.salice.com

### **SALICE CANADA INC.**

3500 RIDGEWAY DRIVE,  
UNIT#1  
MISSISSAUGA, ONTARIO, L5L 0B4  
TEL. 905 820 8787  
FAX. 905 820 7226  
info.salice@salicecanada.com  
www.salicecanada.com

### **SALICE AMERICA INC.**

2123 CROWN CENTRE DRIVE  
CHARLOTTE NC. 28227  
TEL. 704 841 7810  
FAX. 704 841 7808  
info.salice@saliceamerica.com  
www.saliceamerica.com



**Digital contents**